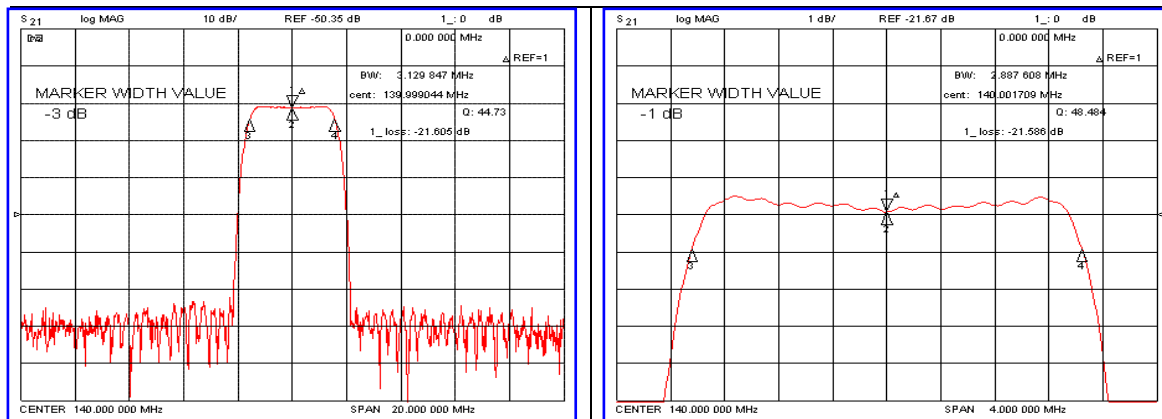


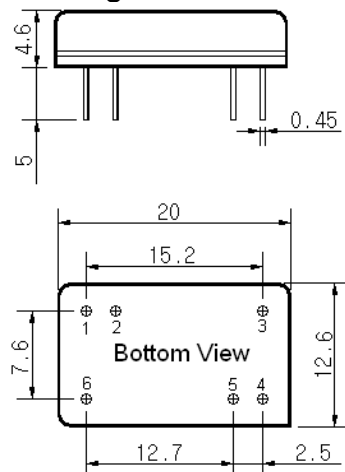
Typical Performance



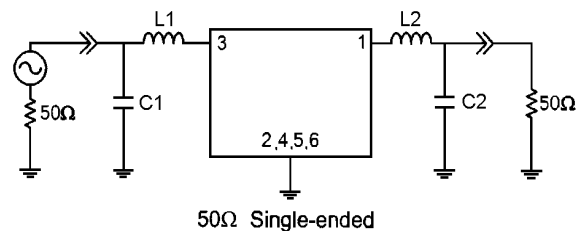
Specification

Parameter	Unit	Min.	Typ.	Max.
Center Frequency (Fc)	Mhz	139.85	140.00	140.15
Insertion Loss	dB	-	21.60	24.00
1dB Bandwidth	Mhz	-	2.88	-
3dB Bandwidth	Mhz	3.00	3.12	-
50dB Bandwidth	Mhz	-	4.28	4.46
Passband Ripple	dB	-	0.50	1.00
Group Delay Variation	nsec	-	100	200
Absolute Delay	µsec	-	2.45	-
Ultimate Attenuation	dB	50	53	-
Substrate Material	-	Quartz		
Temperature Coefficient	ppm/°C ²	-0.03		

Package Dimension



Matching Configuration



L1=82nH, L2=68nH, C1= C2=43pF
 Source / Load Impedance = 50Ω
 Ambient Temperature = 25°C

Rev0. 090406

