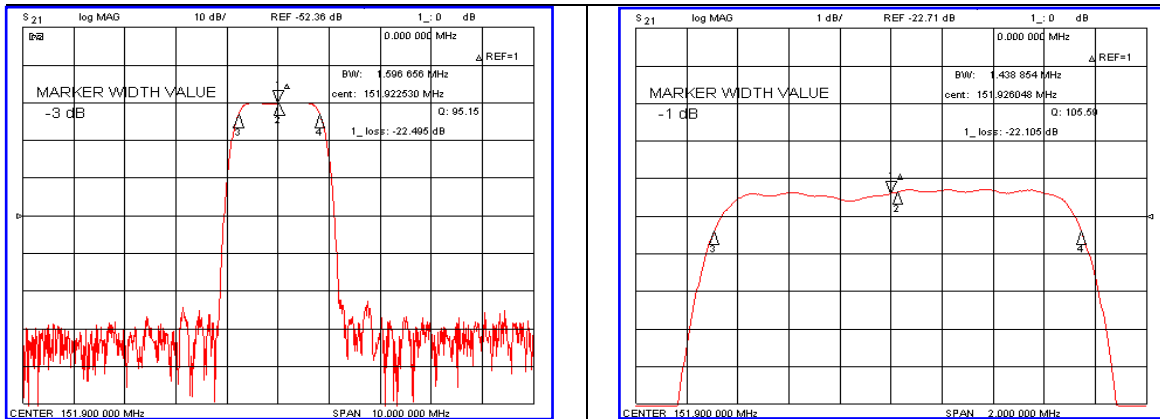


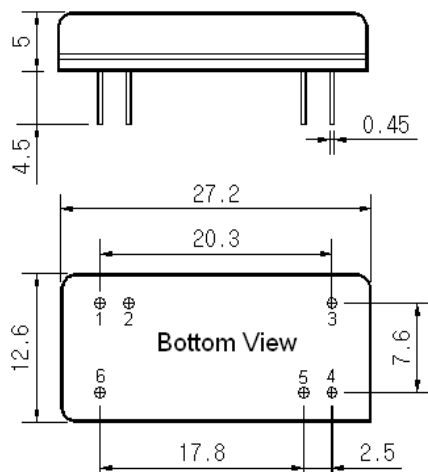
Typical Performance



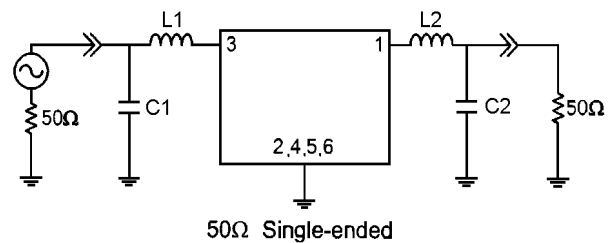
Specification

Parameter	Unit	Min.	Typ.	Max.
Center Frequency	MHz	151.80	151.90	152.00
Insertion Loss	dB	-	22.49	-
1dB Bandwidth	MHz	1.40	1.43	-
3dB Bandwidth	MHz	1.55	1.59	-
40dB Bandwidth	MHz	-	2.25	2.33
Passband Ripple	dB	-	0.40	1.00
Group Delay Variation	nsec	-	150	250
Absolute Delay	µsec	-	3.21	-
Ultimate Attenuation	dB	50	55	-
Substrate Material	-	Quartz		
Temperature Coefficient	ppm/°C	-0.03		

Package Dimension



Matching Configuration



L1=22nH, L2=22nH, C1=43pF, C2=43pF
 Source / Load Impedance = 50Ω
 Ambient Temperature = 25°C

Rev.0 090518

