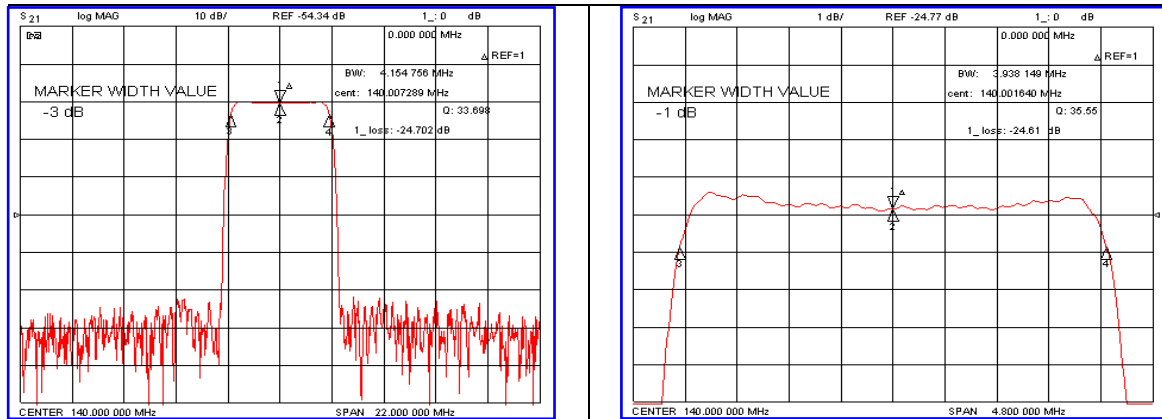


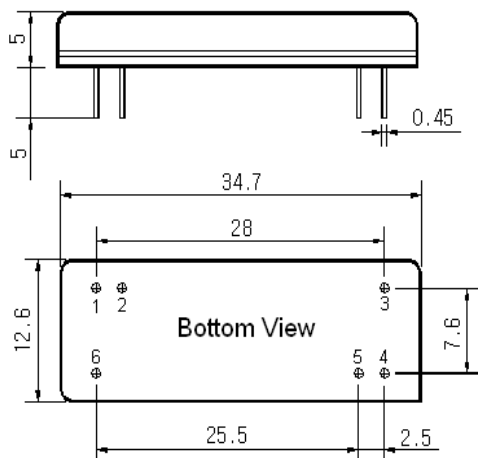
Typical Performance



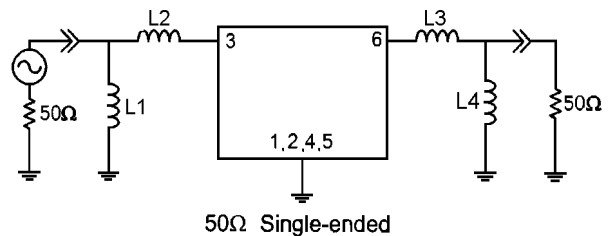
Specification

Parameter	Unit	Min.	Typ.	Max.
Center Frequency	MHz	139.90	140.00	140.10
Insertion Loss	dB	-	24.80	26.00
2dB Bandwidth	MHz	4.00	4.07	-
25dB Bandwidth	MHz	-	4.75	4.85
40dB Bandwidth	MHz	-	4.90	-
Passband Ripple	dB	-	0.55	1.00
Group Delay Variation	nsec	-	80	150
Absolute Delay	usec	-	3.33	-
Ultimate Attenuation	dB	50	52	-
Substrate Material	-	Quartz		
Temperature Coefficient	ppm/°C	-0.03		

Package Dimension



Matching Configuration



L1=22nH, L2=15nH, L3=10nH L4=18nH
 Source / Load Impedance = 50Ω
 Ambient Temperature = 25°C

Rev.0 090112

