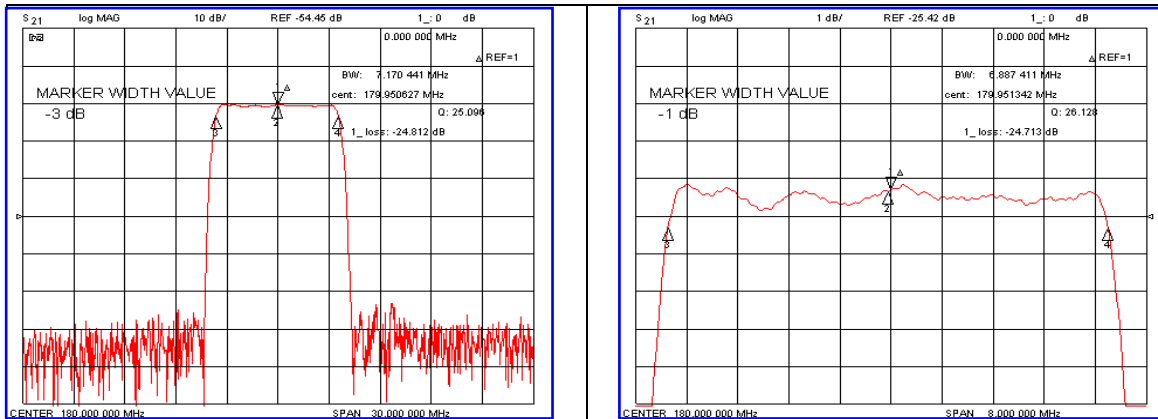


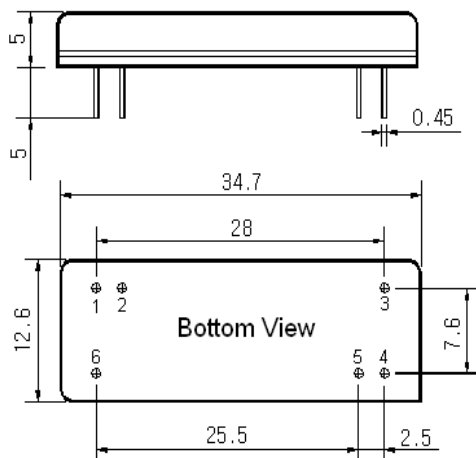
### Typical Performance



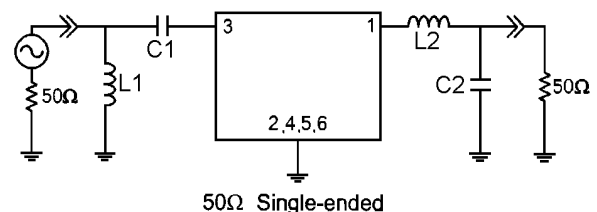
### Specification

Parameter	Unit	Min.	Typ.	Max.
Center Frequency	MHz	179.90	180.00	180.10
Insertion Loss	dB	-	24.81	27.00
1dB Bandwidth	MHz	6.76	6.88	-
3dB Bandwidth	MHz	-	7.17	-
40dB Bandwidth	MHz	-	8.37	8.50
Passband Ripple	dB	-	0.69	1.00
Group Delay Variation	nsec	-	80	150
Absolute Delay	usec	-	3.25	-
Ultimate Attenuation	dB	50	53	-
Substrate Material	-	112-LiTaO <sub>3</sub>		
Temperature Coefficient	ppm/°C	-20		

### Package Dimension



### Matching Configuration



L1=18nH, L2=6.8nH, C1=47pF, C2=47pF  
 Source / Load Impedance = 50Ω  
 Ambient Temperature = 25°C

Rev.0 090406

