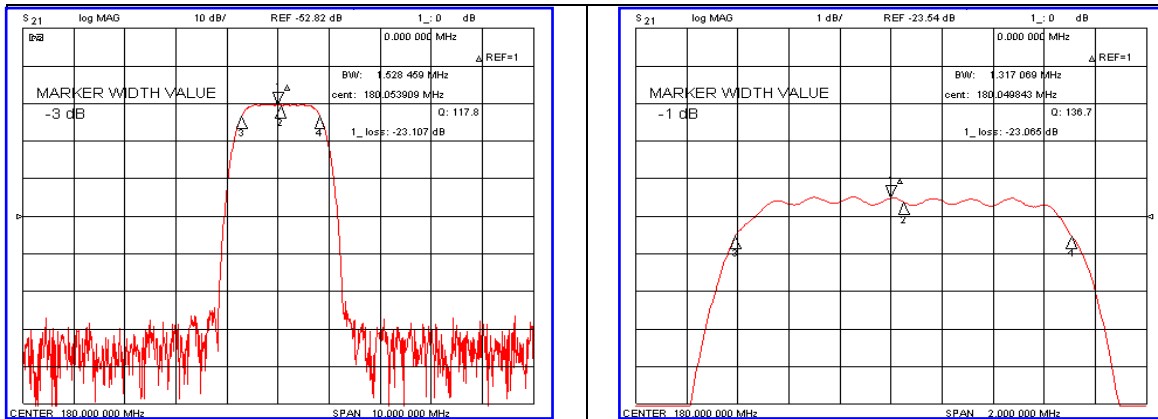


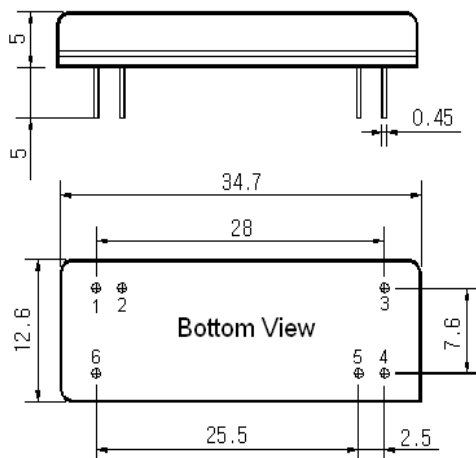
### Typical Performance



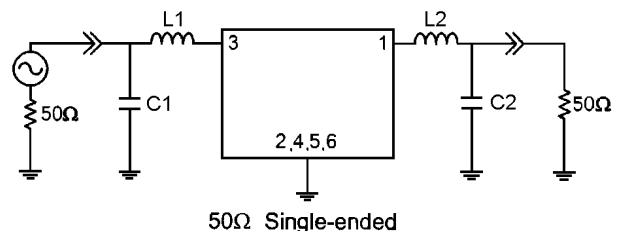
### Specification

Parameter	Unit	Min.	Typ.	Max.
Center Frequency	MHz	179.90	180.00	180.10
Insertion Loss	dB	-	23.10	25.00
1dB Bandwidth	MHz	1.20	1.31	-
3dB Bandwidth	MHz	-	1.52	-
40dB Bandwidth	MHz	-	2.33	2.50
Passband Ripple	dB	-	0.65	1.00
Group Delay Variation	nsec	-	220	350
Absolute Delay	usec	-	3.27	-
Ultimate Attenuation	dB	50	53	-
Substrate Material	-	Quartz		
Temperature Coefficient	ppm/°C	-0.03		

### Package Dimension



### Matching Configuration



L1=4.7nH, L2=5.6nH, C1=62pF, C2=68pF  
 Source / Load Impedance = 50Ω  
 Ambient Temperature = 25°C

Rev.0 090406

