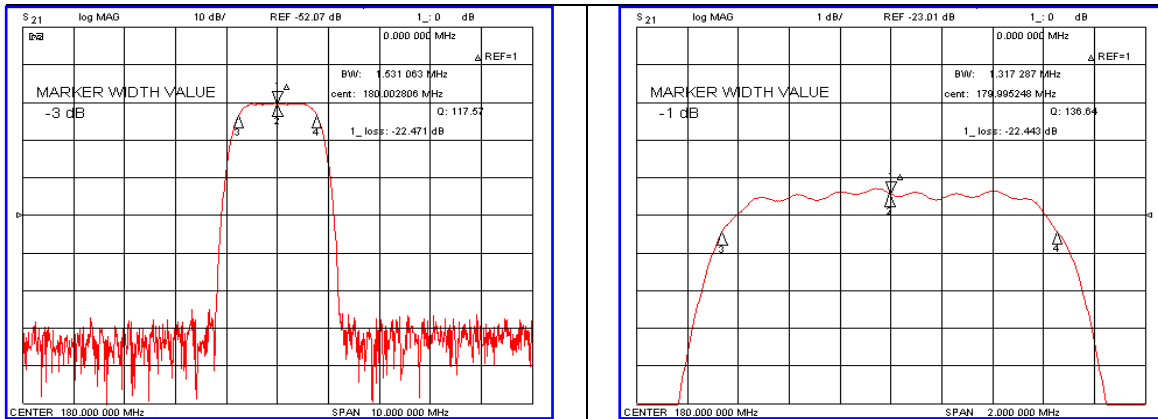


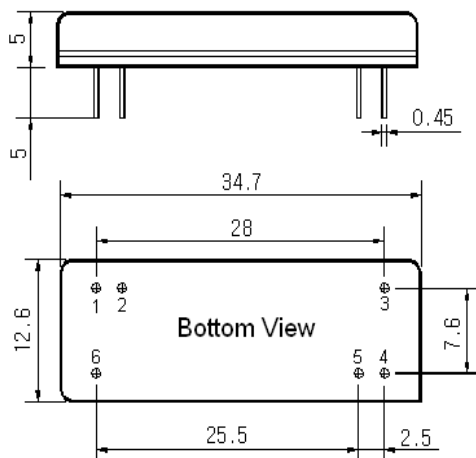
Typical Performance



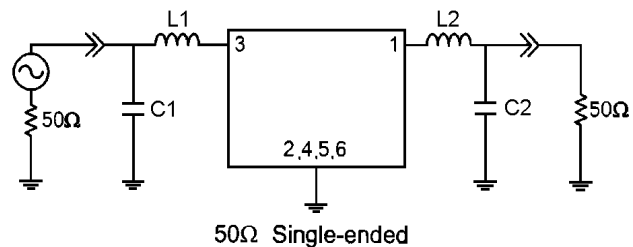
Specification

Parameter	Unit	Min.	Typ.	Max.
Center Frequency	MHz	179.90	180.00	180.10
Insertion Loss	dB	-	22.50	25.00
1dB Bandwidth	MHz	1.20	1.31	-
3dB Bandwidth	MHz	-	1.53	-
40dB Bandwidth	MHz	-	2.31	2.50
Passband Ripple	dB	-	0.35	1.00
Group Delay Variation	nsec	-	170	300
Absolute Delay	usec	-	3.20	-
Ultimate Attenuation	dB	50	55	-
Substrate Material	-	Quartz		
Temperature Coefficient	ppm/°C	-0.03		

Package Dimension



Matching Configuration



L1=5.6nH, L2=10nH, C1=62pF, C2=62pF
 Source / Load Impedance = 50Ω
 Ambient Temperature = 25°C

Rev.1 090601

