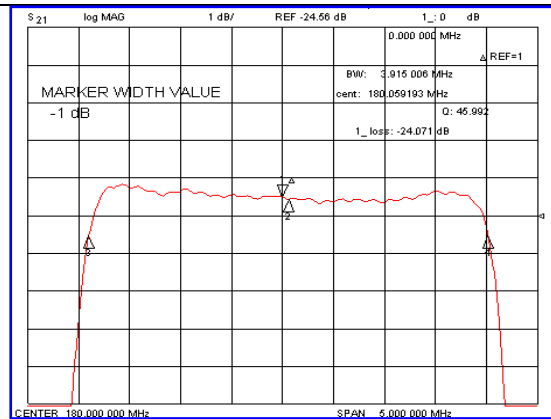
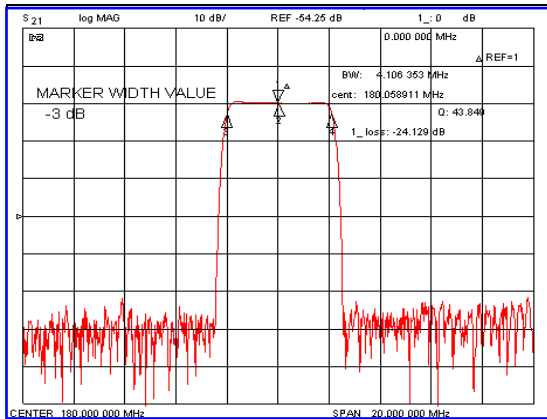


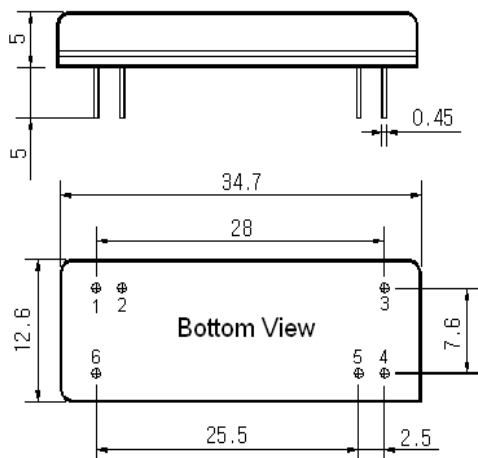
Typical Performance



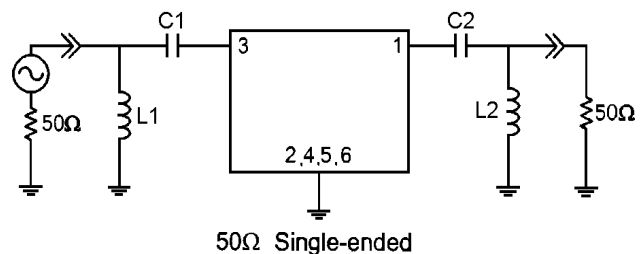
Specification

Parameter	Unit	Min.	Typ.	Max.
Center Frequency	MHz	179.90	180.00	180.10
Insertion Loss	dB	-	24.20	26.50
1dB Bandwidth	MHz	3.76	3.91	-
3dB Bandwidth	MHz	-	4.10	-
40dB Bandwidth	MHz	-	4.89	5.10
Passband Ripple	dB	-	0.50	1.00
Group Delay Variation	nsec	-	90	150
Absolute Delay	usec	-	3.26	-
Ultimate Attenuation	dB	50	52	-
Substrate Material	-	Quartz		
Temperature Coefficient	ppm/°C	-0.03		

Package Dimension



Matching Configuration



L1=12nH, L2=22nH, C1=240pF, C2=110pF
 Source / Load Impedance = 50Ω
 Ambient Temperature = 25°C

Rev.0 090527

