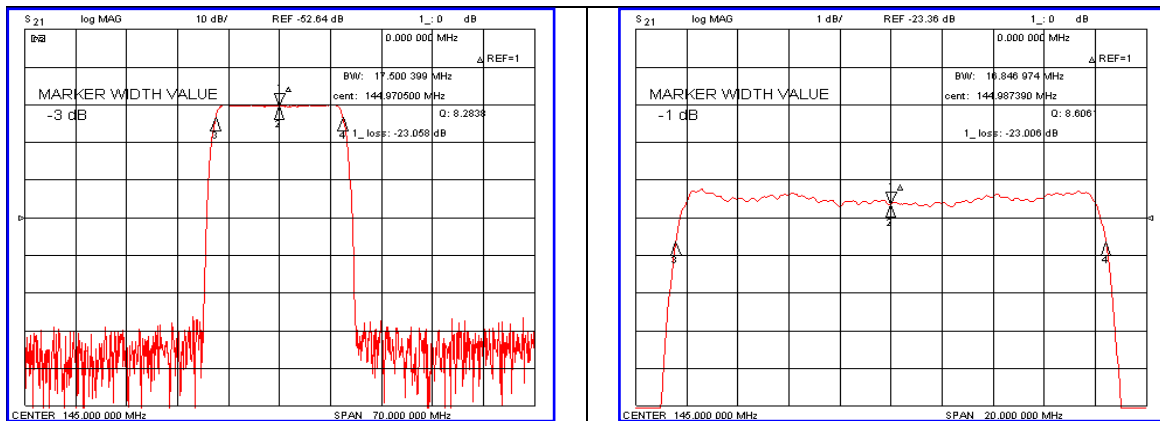


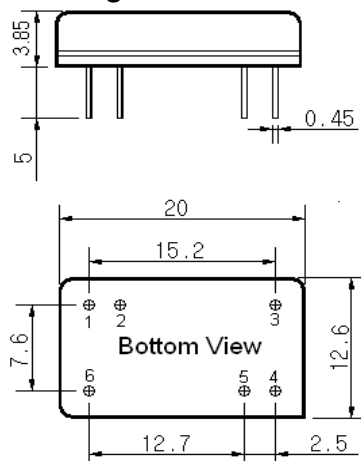
Typical Performance



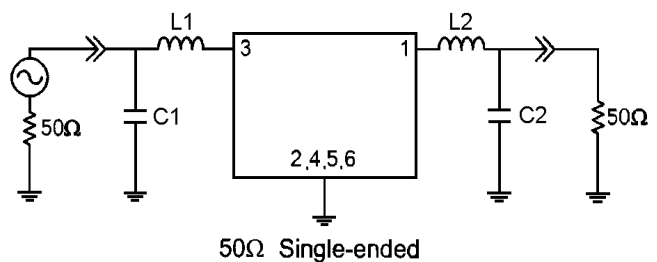
Specification

Parameter	Unit	Min.	Typ.	Max.
Center Frequency	MHz	-	145.00	-
Insertion Loss	dB	-	23.50	25.00
1dB Bandwidth	MHz	16.70	16.84	-
3dB Bandwidth	MHz	-	17.50	-
40dB Bandwidth	MHz	-	20.40	20.60
Passband Ripple($F_c \pm 7.56$ MHz)	dB	-	0.48	1.00
Group Delay Variation($F_c \pm 7.56$ MHz)	nsec	-	30	50
Absolute Delay	μ sec	-	1.25	-
Ultimate Attenuation	dB	50	55	-
Substrate Material	-	128- LiNbO ₃		
Temperature Coefficient	ppm/ $^{\circ}$ C	-72		

Package Dimension



Matching Configuration



L1=8.2nH, L2=10nH, C1=6pF, C2=10pF
 Source / Load Impedance = 50 Ω
 Ambient Temperature = 25 $^{\circ}$ C

Rev0. 090316

