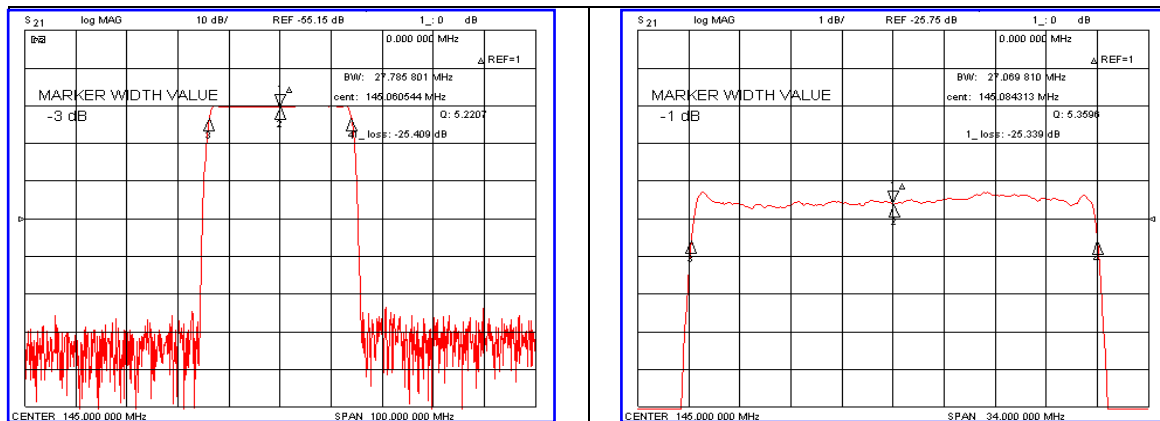


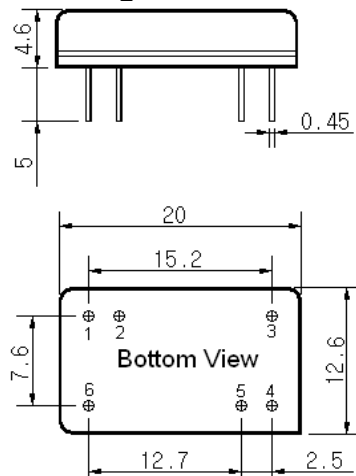
Typical Performance



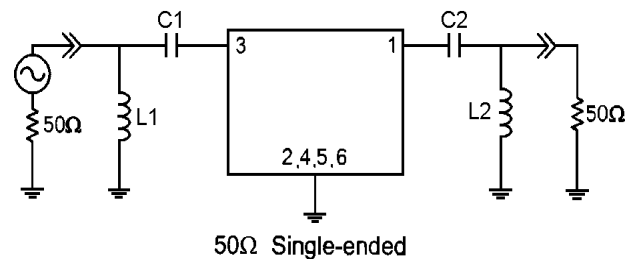
Specification

Parameter	Unit	Min.	Typ.	Max.
Center Frequency	MHz	-	145.00	-
Insertion Loss	dB	-	25.40	26.50
1dB Bandwidth	MHz	26.90	27.06	-
3dB Bandwidth	MHz	-	27.78	-
40dB Bandwidth	MHz	-	30.95	31.10
Passband Ripple($F_c \pm 12.48$ MHz)	dB	-	0.45	1.00
Group Delay Variation($F_c \pm 12.48$ MHz)	nsec	-	30	50
Absolute Delay	μ sec	-	1.16	-
Ultimate Attenuation	dB	50	55	-
Substrate Material	-	128-LiNbO ₃		
Temperature Coefficient	ppm/ $^{\circ}$ C	-72		

Package Dimension



Matching Configuration



L1=82nH, L2=68nH, C1=100pF, C2=100pF
 Source / Load Impedance = 50 Ω
 Ambient Temperature = 25 $^{\circ}$ C

Rev0. 090525

