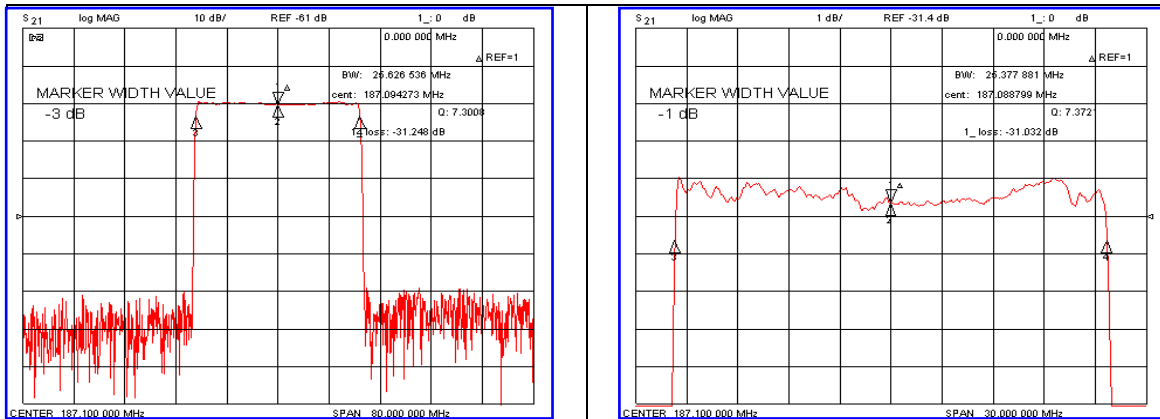


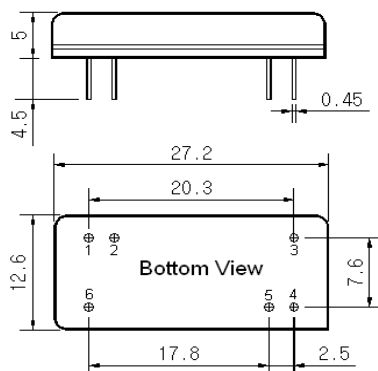
Typical Performance



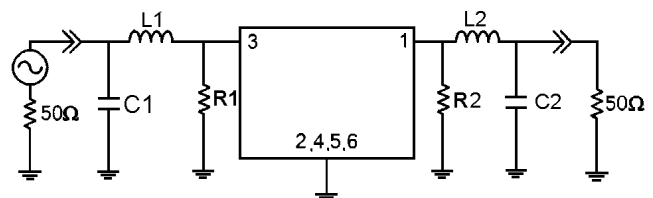
Specification

Parameter	Unit	Min.	Typ.	Max.
Center Frequency	MHz	187.00	187.10	187.20
Insertion Loss	dB	-	31.50	33.00
1dB Bandwidth	MHz	25.10	25.37	-
3dB Bandwidth	MHz	25.40	25.62	-
20dB Bandwidth	MHz	-	26.35	26.50
40dB Bandwidth	MHz	-	26.71	26.90
50dB Bandwidth	MHz	-	26.92	27.10
Return Loss 1dB Bandwidth	dB	4	5	-
Passband Ripple	dB	-	0.86	1.20
Group Delay Variation	nsec	-	60	100
Absolute Delay	µsec	-	2.78	-
Ultimate Attenuation	dB	47	50	-
Substrate Material	-	128-LiNbO ₃		
Temperature Coefficient	ppm/°C	-72		

Package Dimension



Matching Configuration



50Ω Single-ended

L1=39nH, L2=39nH, C1=10pF, C2=12pF, R1=R2=150 Ω
 Source / Load Impedance = 50Ω
 Ambient Temperature = 25°C

Rev.0 090617

