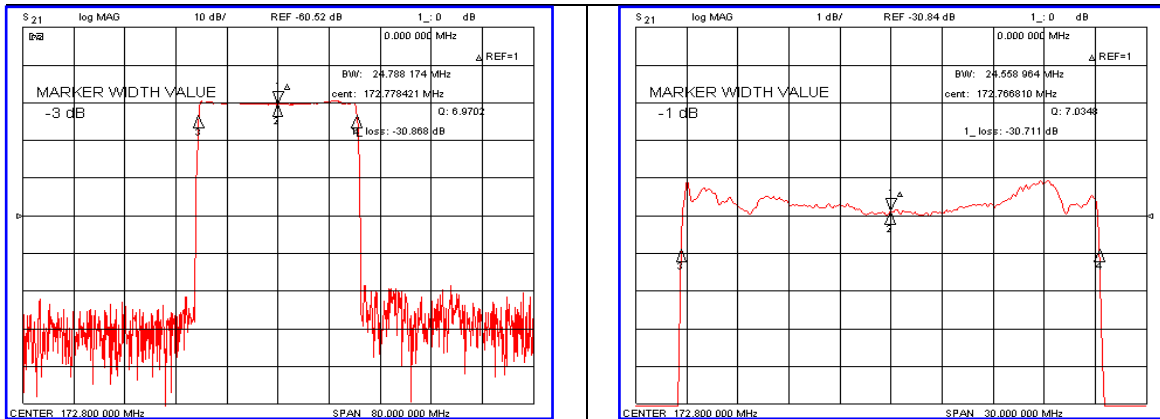


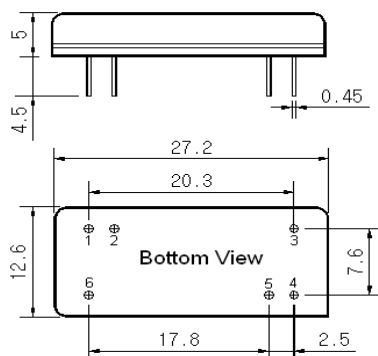
Typical Performance



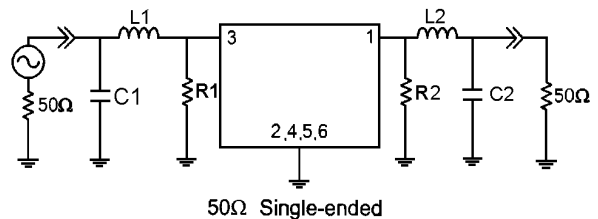
Specification

Parameter	Unit	Min.	Typ.	Max.
Center Frequency	MHz	172.70	172.80	172.90
Insertion Loss	dB	-	31.00	32.50
1dB Bandwidth	MHz	24.30	24.55	-
3dB Bandwidth	MHz	24.60	24.78	-
20dB Bandwidth	MHz	-	25.51	25.70
40dB Bandwidth	MHz	-	25.86	26.00
50dB Bandwidth	MHz	-	25.99	26.20
Return Loss 1dB Bandwidth	dB	4	5	-
Passband Ripple	dB	-	0.95	1.20
Group Delay Variation	nsec	-	55	100
Absolute Delay	µsec	-	2.74	-
Ultimate Attenuation	dB	47	50	-
Substrate Material	-	128-LiNbO ₃		
Temperature Coefficient	ppm/°C	-72		

Package Dimension



Matching Configuration



L1=47nH, L2=39nH, C1=C2=10pF, R1=R2=220 Ω
 Source / Load Impedance = 50Ω
 Ambient Temperature = 25°C

Rev.0 090623

