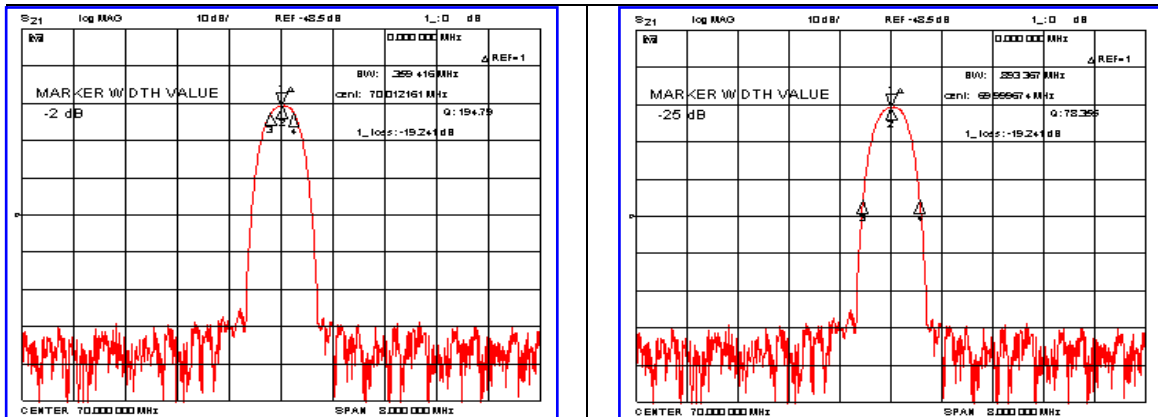


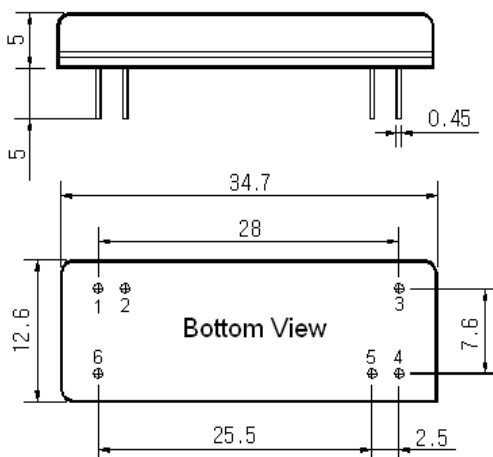
Typical Performance



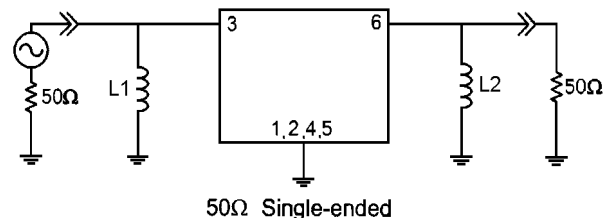
Specification

Parameter	Unit	Min.	Typ.	Max.
Center Frequency	MHz	69.92	70.00	70.08
Insertion Loss	dB	-	19.25	21.00
2dB Bandwidth	MHz	0.20	0.35	-
25dB Bandwidth	MHz	-	0.90	1.00
40dB Bandwidth	MHz	-	1.02	-
Passband Ripple	dB	-	0.50	1.00
Group Delay Variation	nsec	-	250	350
Absolute Delay	usec	-	3.64	-
Ultimate Attenuation	dB	50	55	-
Substrate Material	-	Quartz		
Temperature Coefficient	ppm/°C	-0.03		

Package Dimension



Matching Configuration



L1=390nH, L2=390nH
 Source / Load Impedance = 50Ω
 Ambient Temperature = 25°C

Rev.0 080411

