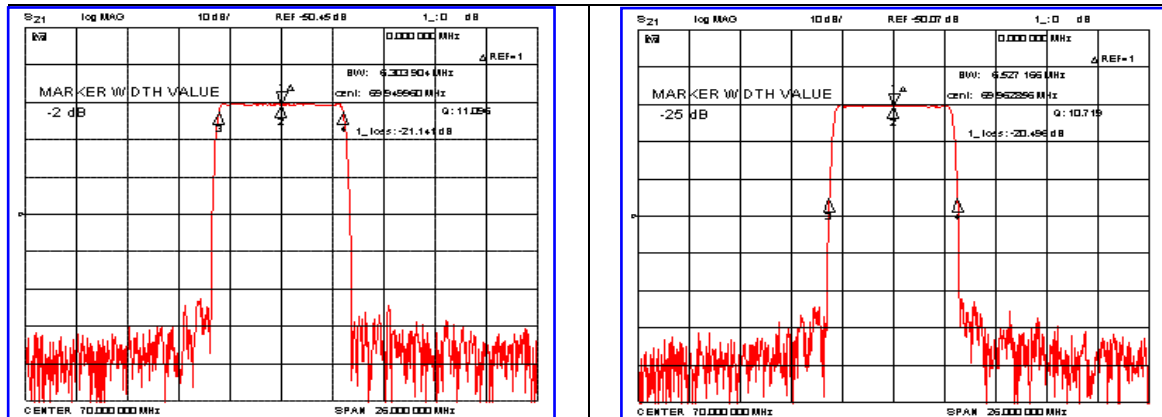


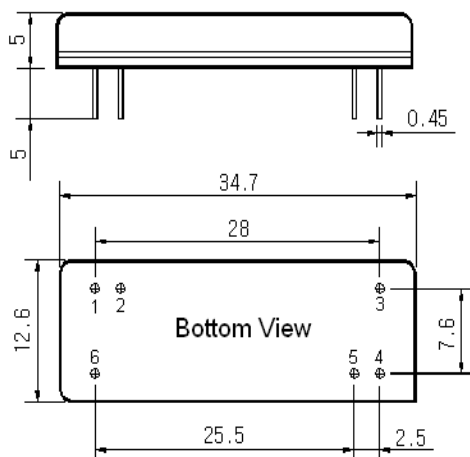
### Typical Performance



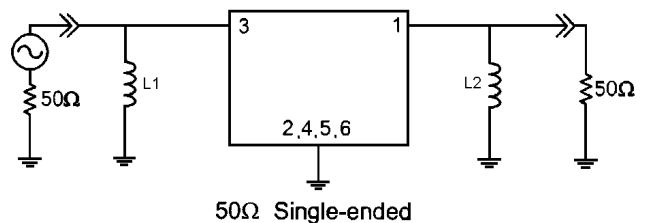
### Specification

Parameter	Unit	Min.	Typ.	Max.
Center Frequency	MHz	69.92	70.00	70.08
Insertion Loss	dB	-	21.50	23.00
2dB Bandwidth	MHz	6.20	6.30	-
25dB Bandwidth	MHz	-	6.91	7.00
40dB Bandwidth	MHz	-	7.05	-
Passband Ripple	dB	-	0.60	1.00
Group Delay Variation	nsec	-	150	200
Absolute Delay	nsec	-	3.90	-
Ultimate Attenuation	dB	50	53	-
Substrate Material	-	YZ-LiNbO <sub>3</sub>		
Temperature Coefficient	ppm/°C	-94		

### Package Dimension



### Matching Configuration



L1=390nH, L2=390nH  
 Source / Load Impedance = 50Ω  
 Ambient Temperature = 25°C

Rev.0 080411

