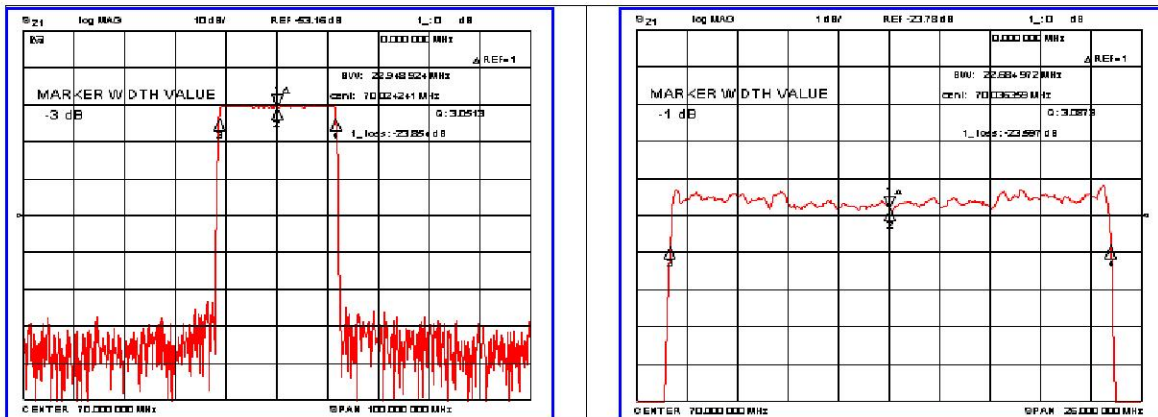


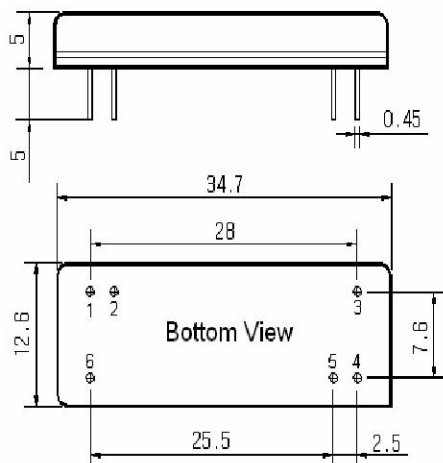
Typical Performance



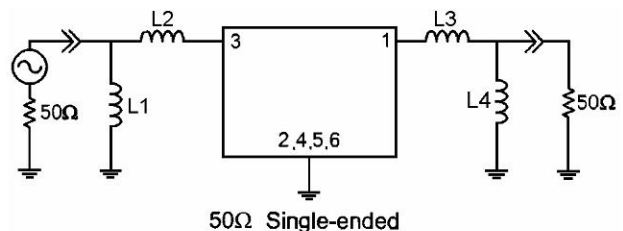
Specification

Parameter	Unit	Min.	Typ.	Max.
Center Frequency	MHz	69.92	70.00	70.08
Insertion Loss	dB	-	23.85	25.50
1dB Bandwidth	MHz	22.40	22.68	-
3dB Bandwidth	MHz	-	22.94	-
45dB Bandwidth	MHz	-	24.35	24.50
Passband Ripple	dB	-	0.68	1.00
Group Delay Variation	nsec	-	50	100
Absolute Delay	µsec	-	2.20	-
Ultimate Attenuation	dB	50	53	-
Substrate Material	-	128-LiNbO ₃		
Temperature Coefficient	ppm/°C	-72		

Package Dimension



Matching Configuration



L1=390nH, L2=150nH, L3=120nH, L4=390nH
 Source / Load Impedance = 50Ω
 Ambient Temperature = 25°C

Rev0. 080321

