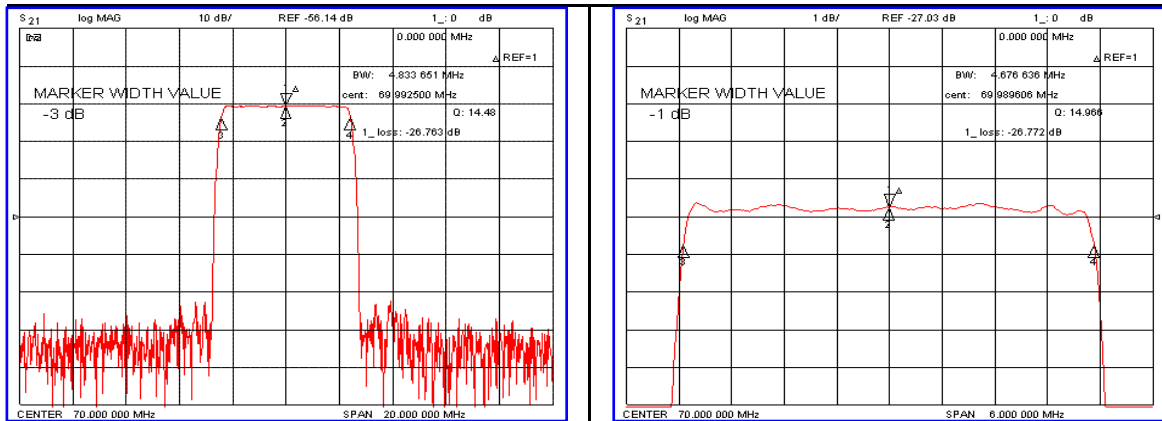


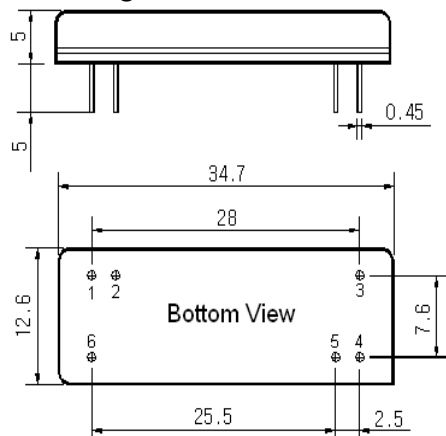
Typical Performance



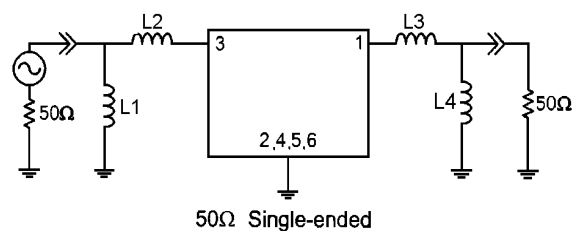
Specification

Parameter	Unit	Min.	Typ.	Max.
Center Frequency (Fc)	MHz	69.92	70.00	70.08
Insertion Loss	dB	-	26.80	28.00
1dB Bandwidth	MHz	-	4.67	-
3dB Bandwidth	MHz	4.70	4.83	-
40dB Bandwidth	MHz	-	5.45	5.60
Passband Ripple	dB	-	0.45	1.00
Group Delay Variation	nsec	-	60	100
Absolute Delay	µsec	-	5.29	-
Ultimate Attenuation At 2.7MHz away from ΔFc	dB	32	32.6	-
Substrate Material	-	112-LiTaO ₃		
Temperature Coefficient	ppm/°C	-20		

Package Dimension



Matching Configuration



L1 = L4=120nH, L2 = L3=8.2nH
 Source / Load Impedance = 50Ω
 Ambient Temperature = 25°C

Rev1. 080421

