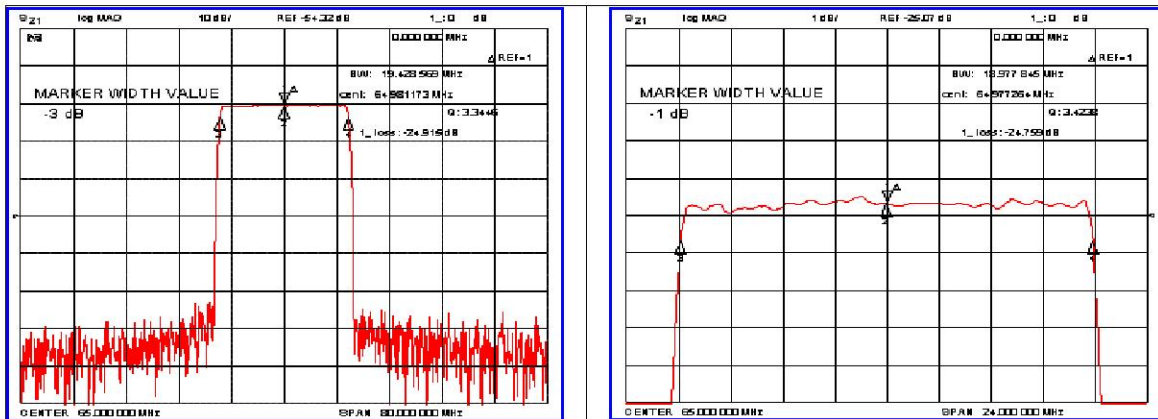


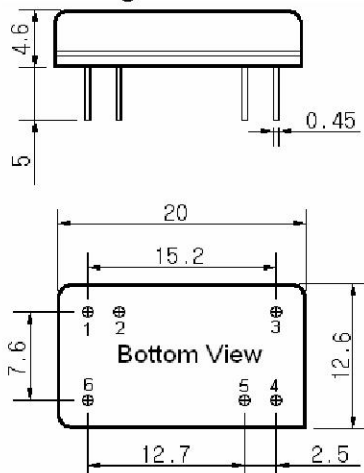
Typical Performance



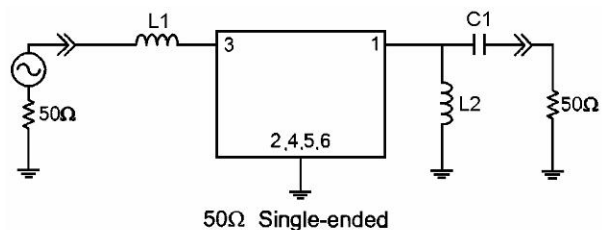
Specification

Parameter	Unit	Min.	Typ.	Max.
Center Frequency	MHz	-	65.00	-
Insertion Loss	dB	-	24.91	26.00
1dB Bandwidth	MHz	-	18.97	-
3dB Bandwidth	MHz	19.35	19.42	-
40dB Bandwidth	MHz	-	20.92	21.00
Passband Ripple($F_c \pm 9.375$ MHz)	dB	-	0.79	1.10
Group Delay Variation($F_c \pm 9.375$ MHz)	nsec	-	30	60
Absolute Delay	μ sec	-	2.28	-
Ultimate Attenuation	dB	50	53	-
Substrate Material	-	128-LiNbO ₃		
Temperature Coefficient	ppm/ $^{\circ}$ C	-72		

Package Dimension



Matching Configuration



L1=180nH, L2=150nH, C1=39pF
 Source / Load Impedance = 50 Ω
 Ambient Temperature = 25 $^{\circ}$ C

Rev0. 080523

