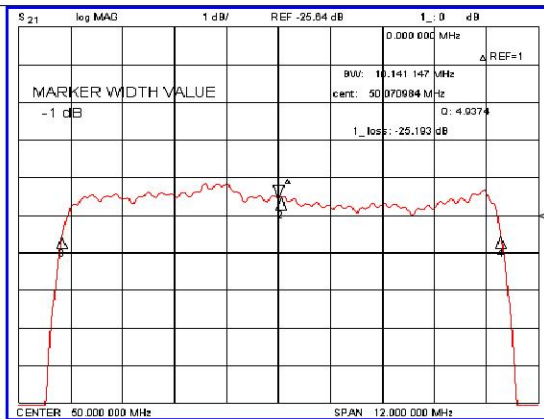
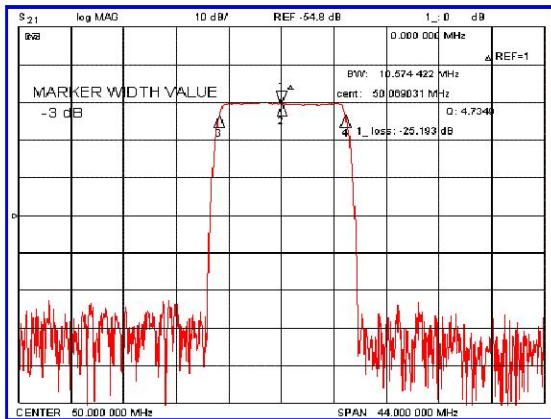


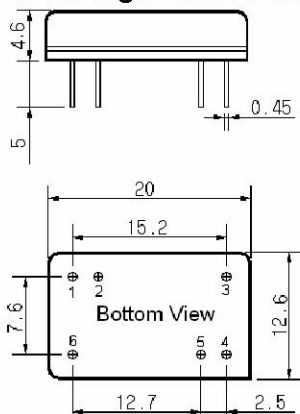
Typical Performance



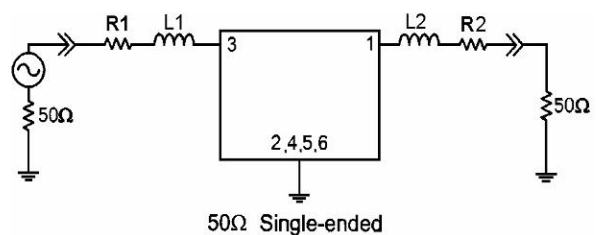
Specification

Parameter	Unit	Min.	Typ.	Max.
Center Frequency	MHz	49.92	50.00	50.08
Insertion Loss	dB	-	25.20	27.00
1dB Bandwidth	MHz	10.00	10.14	-
3dB Bandwidth	MHz	-	10.57	-
20dB Bandwidth	MHz	-	11.77	11.90
40dB Bandwidth	MHz	-	12.32	12.50
Passband Ripple	dB	-	0.80	1.00
Return Loss at 1dB Bandwidth	dB	7	10	-
Group Delay Variation	nsec	-	65	100
Absolute Delay	µsec	-	1.94	-
Ultimate Attenuation	dB	50	53	-
Substrate Material	-	128-LiNbO ₃		
Temperature Coefficient	ppm/°C	-72		

Package Dimension



Matching Configuration



L1=L2=390nH, R1=R2=56Ω
 Source / Load Impedance = 50Ω
 Ambient Temperature = 25°C

Rev0.080624

