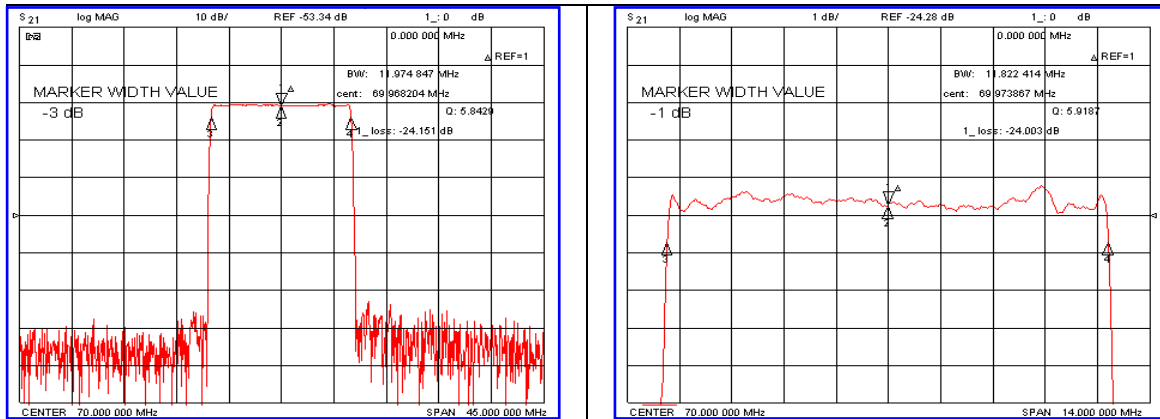


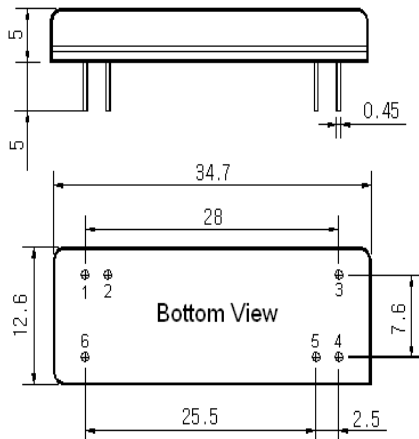
Typical Performance



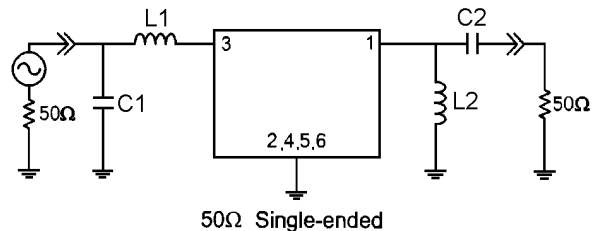
Specification

Parameter	Unit	Min.	Typ.	Max.
Center Frequency	MHz	69.92	70.00	70.08
Insertion Loss	dB	-	24.20	26.00
1dB Bandwidth	MHz	-	11.82	-
3dB Bandwidth	MHz	11.90	11.97	-
20dB Bandwidth	MHz	-	12.42	-
40dB Bandwidth	MHz	-	12.62	12.75
Passband Ripple	dB	-	0.75	1.00
Group Delay Variation	nsec	-	100	200
Absolute Delay	μsec	-	4.05	-
Ultimate Attenuation	dB	50	53	-
Substrate Material	-	128-LiNbO ₃		
Temperature Coefficient	ppm/°C ²	-72		

Package Dimension



Matching Configuration



L1=82nH, L2=120nH, C1=43pF, C2=62pF
 Source / Load Impedance = 50Ω
 Ambient Temperature = 25°C

Rev0. 071005

