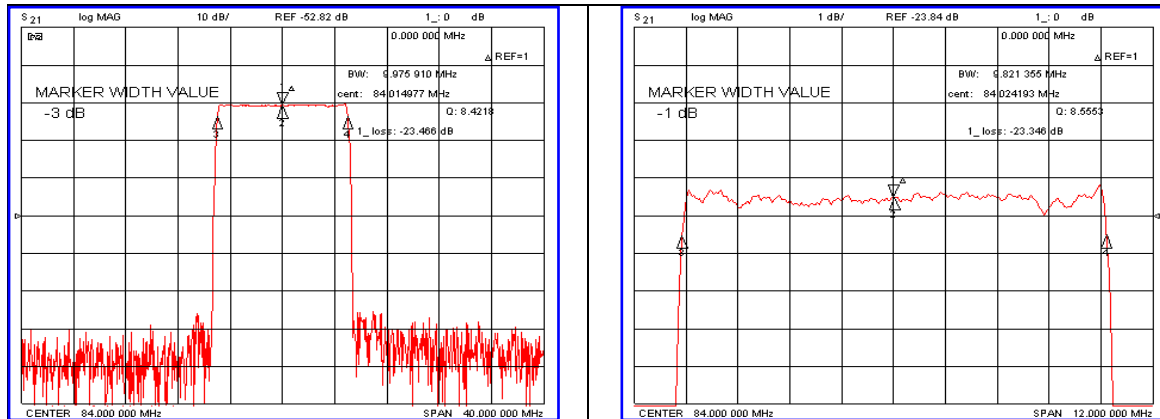


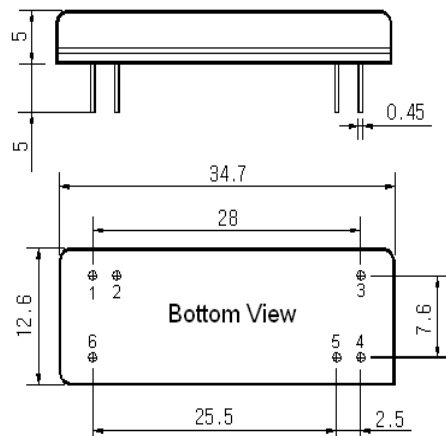
Typical Performance



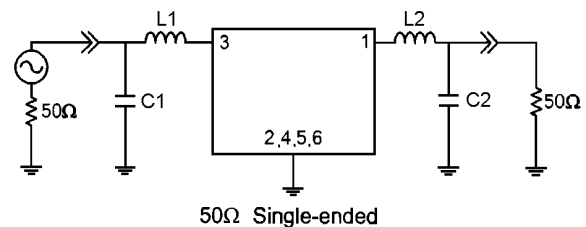
Specification

Parameter	Unit	Min.	Typ.	Max.
Center Frequency	MHz	83.92	84.00	84.08
Insertion Loss	dB	-	23.46	25.00
1dB Bandwidth	MHz	-	9.82	-
3dB Bandwidth	MHz	9.90	9.97	-
20dB Bandwidth	MHz	-	10.43	10.50
50dB Bandwidth	MHz	-	10.70	-
Passband Ripple	dB	-	0.75	1.00
Group Delay Variation	nsec	-	100	200
Absolute Delay	μsec	-	4.03	-
Ultimate Attenuation	dB	50	53	-
Substrate Material	-	128-LiNbO ₃		
Temperature Coefficient	ppm/°C	-72		

Package Dimension



Matching Configuration



L1=L2=39nH, C1=C2=20pF
 Source / Load Impedance = 50Ω
 Ambient Temperature = 25°C

Rev0. 071130

