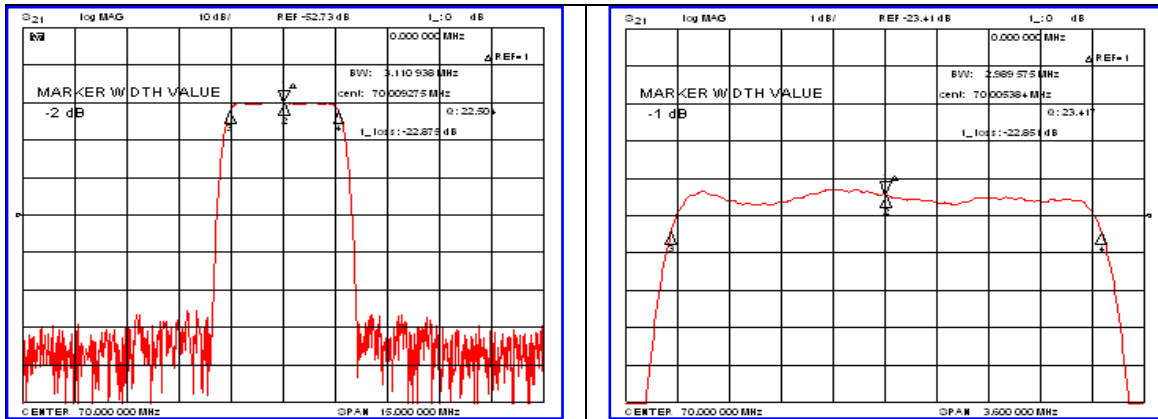


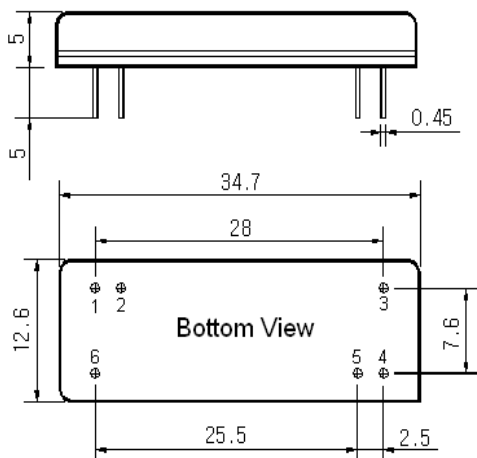
Typical Performance



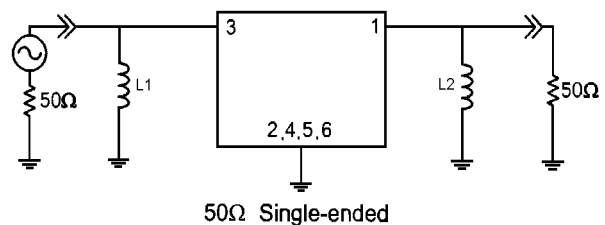
Specification

Parameter	Unit	Min.	Typ.	Max.
Center Frequency	MHz	69.92	70.00	70.08
Insertion Loss	dB	-	23.00	25.00
2dB Bandwidth	MHz	3.00	3.11	-
25dB Bandwidth	MHz	-	3.83	3.95
40dB Bandwidth	MHz	-	4.00	-
Passband Ripple	dB	-	0.45	1.00
Group Delay Variation	nsec	-	100	200
Absolute Delay	usec	-	4.76	-
Ultimate Attenuation	dB	50	55	-
Substrate Material	-	112-LiTaO ₃		
Temperature Coefficient	ppm/°C	-20		

Package Dimension



Matching Configuration



L1=150nH, L2=150nH
 Source / Load Impedance = 50Ω
 Ambient Temperature = 25°C

Rev.0 080922

