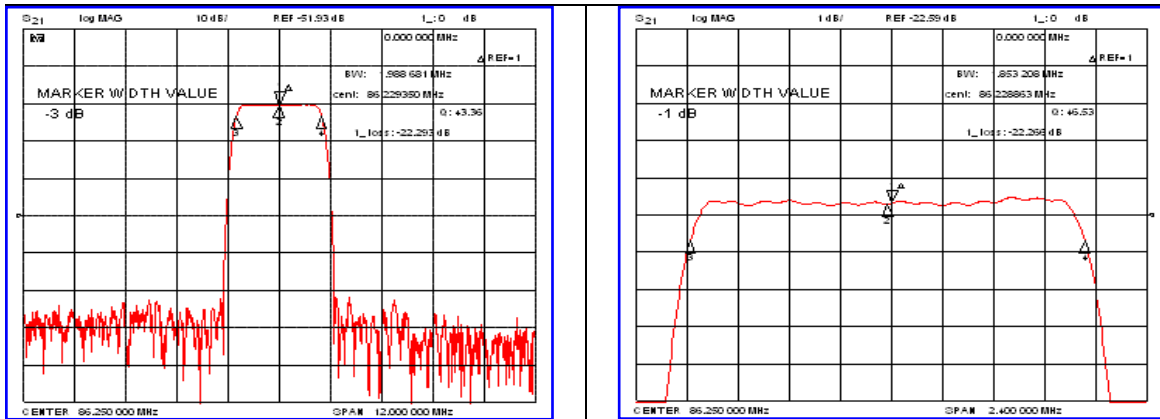


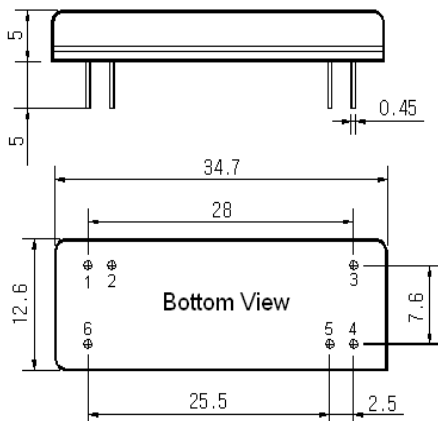
Typical Performance



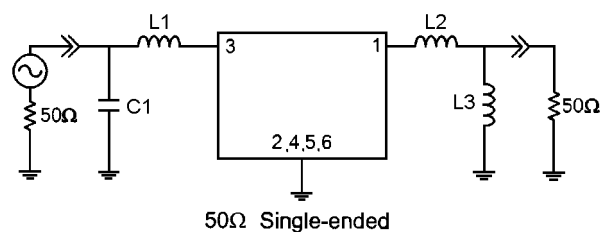
Specification

Parameter	Unit	Min.	Typ.	Max.
Center Frequency	MHz	86.17	86.25	86.33
Insertion Loss	dB	-	22.50	24.50
1dB Bandwidth	MHz	1.75	1.85	-
3dB Bandwidth	MHz	-	1.98	-
40dB Bandwidth	MHz	-	2.53	-
50dB Bandwidth	MHz	-	2.57	2.65
Passband Ripple	dB	-	0.40	1.00
Group Delay Variation	nsec	-	150	250
Absolute Delay	usec	-	3.88	-
Ultimate Attenuation	dB	50	52	-
Substrate Material	-	Quartz		
Temperature Coefficient	ppm/°C	-0.03		

Package Dimension



Matching Configuration



L1=120nH, L2=68nH, L3=68nH C1=62pF
 Source / Load Impedance = 50Ω
 Ambient Temperature = 25°C

Rev.0 080913

