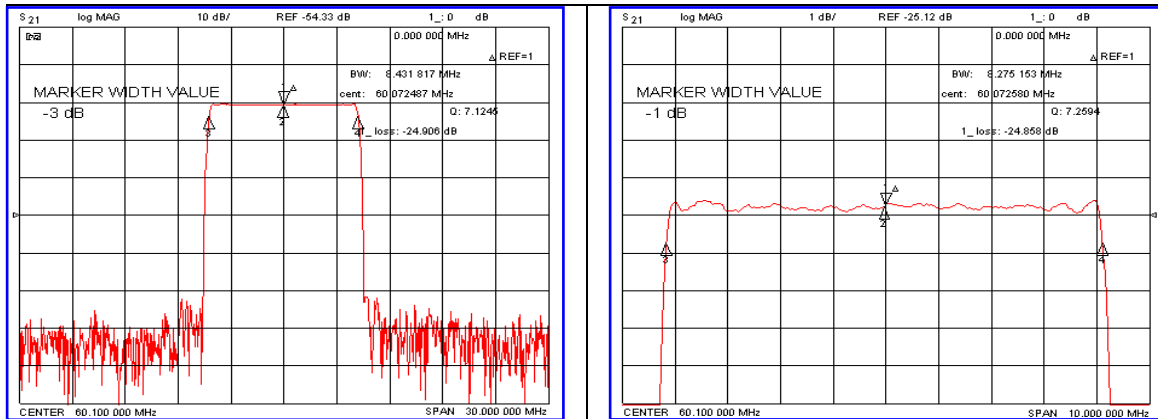


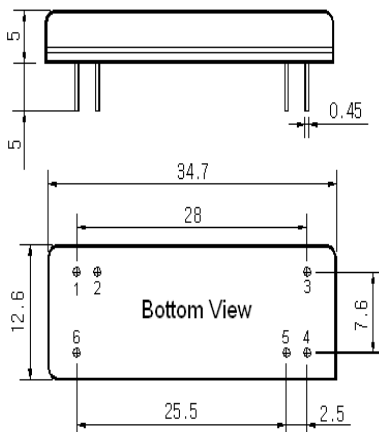
Typical Performance



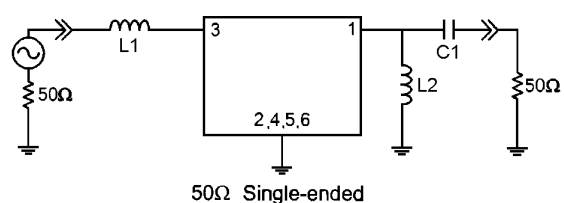
Specification

Parameter	Unit	Min.	Typ.	Max.
Center Frequency	MHz	60.02	60.10	60.18
Insertion Loss	dB	-	24.90	26.50
1dB Bandwidth	MHz	-	8.27	-
3dB Bandwidth	MHz	8.30	8.43	-
20dB Bandwidth	MHz	-	8.87	-
40dB Bandwidth	MHz	-	9.06	9.20
Passband Ripple	dB	-	0.40	1.00
Group Delay Variation	nsec	-	80	150
Absolute Delay	μsec	-	4.14	-
Ultimate Attenuation	dB	47	50	-
Substrate Material	-	YZ-LiNbO ₃		
Temperature Coefficient	ppm/°C ²	-94		

Package Dimension



Matching Configuration



L1=68nH, L2=150nH, C1=100pF
 Source / Load Impedance = 50Ω
 Ambient Temperature = 25°C

Rev0.070816

