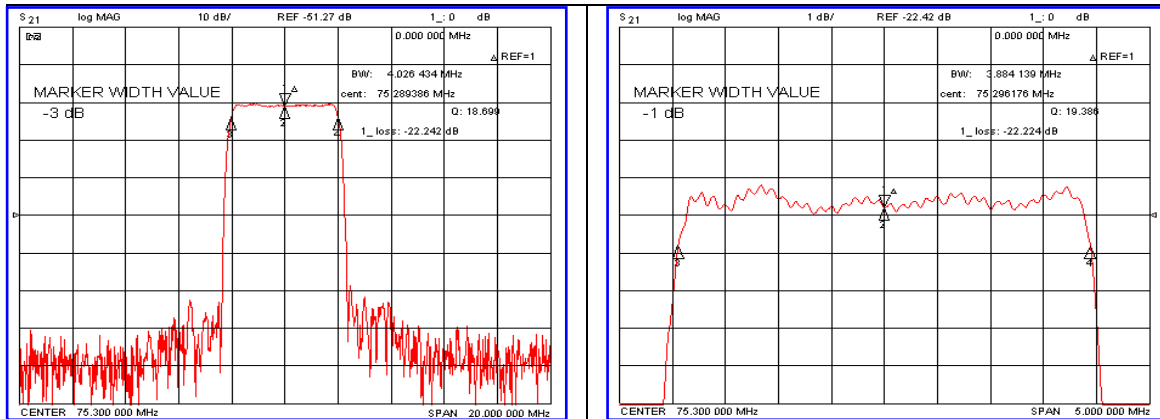


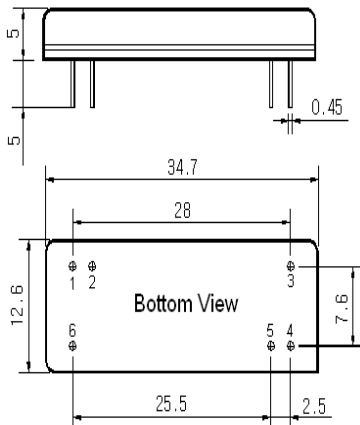
### Typical Performance



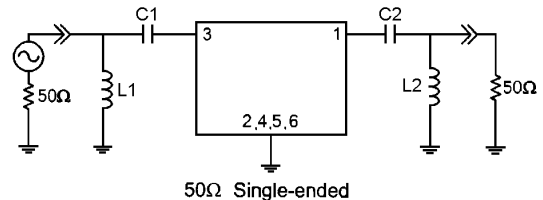
### Specification

Parameter	Unit	Min.	Typ.	Max.
Center Frequency	MHz	75.22	75.30	75.38
Insertion Loss	dB	-	22.30	25.00
1dB Bandwidth	MHz	3.70	3.88	-
3dB Bandwidth	MHz	-	4.02	-
20dB Bandwidth	MHz	-	4.46	4.55
40dB Bandwidth	MHz	-	4.65	-
Passband Ripple	dB	-	0.75	1.00
Group Delay Variation	nsec	-	250	300
Absolute Delay	μsec	-	4.44	-
Ultimate Attenuation	dB	-	45	-
Substrate Material	-	YZ-LiNbO <sub>3</sub>		
Temperature Coefficient	ppm/°C <sup>2</sup>	-94		

### Package Dimension



### Matching Configuration



L1=270nH, L2=390nH, C1=39pF, C2=220pF  
 Source / Load Impedance = 50Ω  
 Ambient Temperature = 25°C

Rev0.070730

