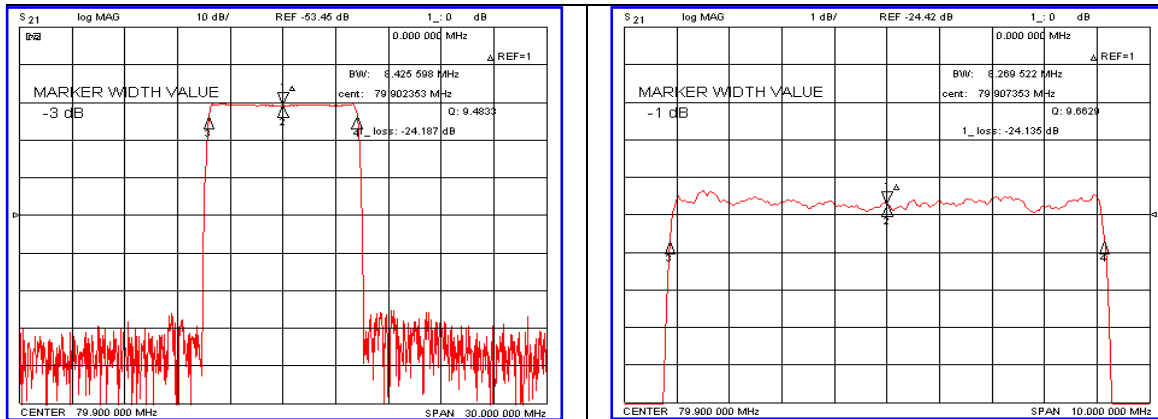


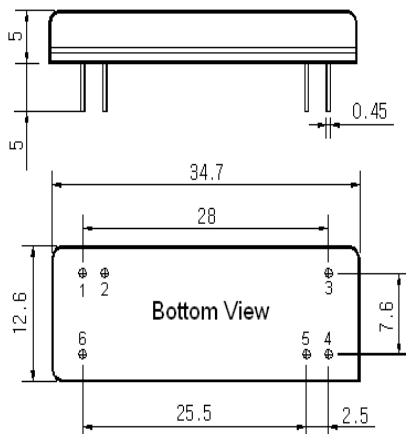
Typical Performance



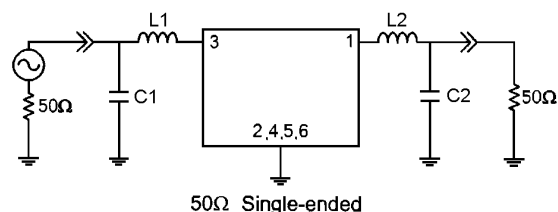
Specification

Parameter	Unit	Min.	Typ.	Max.
Center Frequency	MHz	79.82	79.90	79.98
Insertion Loss	dB	-	24.20	26.00
1dB Bandwidth	MHz	-	8.26	-
3dB Bandwidth	MHz	8.30	8.42	-
20dB Bandwidth	MHz	-	8.87	-
40dB Bandwidth	MHz	-	9.08	9.20
Passband Ripple	dB	-	0.60	1.00
Group Delay Variation	nsec	-	70	150
Absolute Delay	μsec	-	4.12	-
Ultimate Attenuation	dB	50	55	-
Substrate Material	-	YZ-LiNbO ₃		
Temperature Coefficient	ppm/°C	-94		

Package Dimension



Matching Configuration



L1=L2=47nH, C1=C2=10pF
 Source / Load Impedance = 50Ω
 Ambient Temperature = 25°C

Rev0.070816

