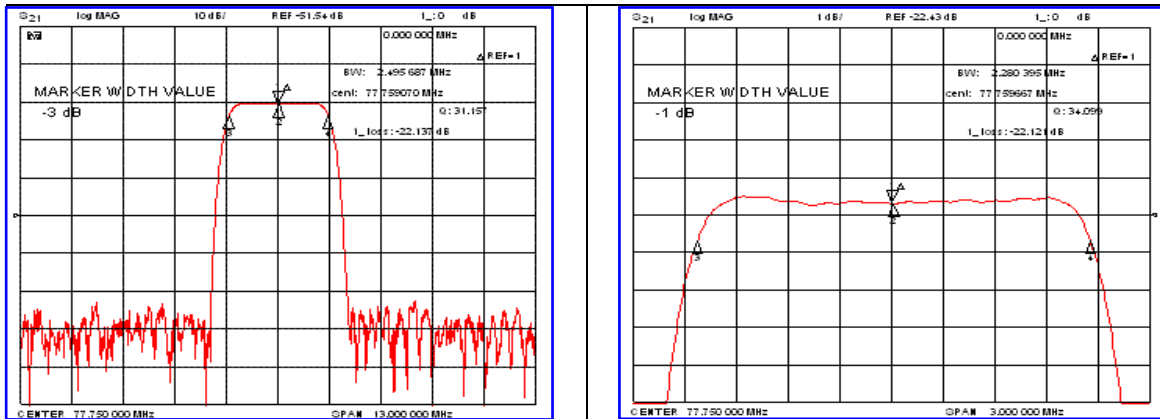


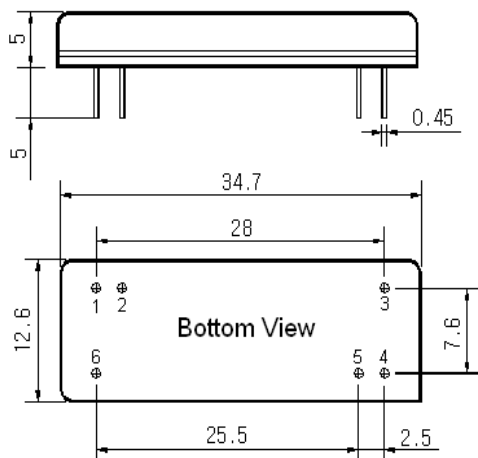
### Typical Performance



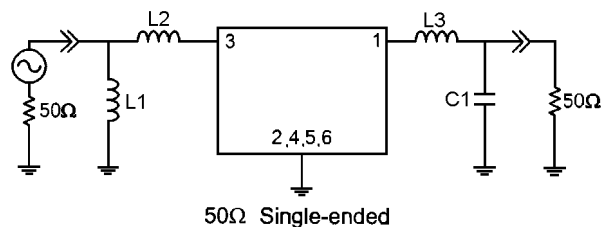
### Specification

Parameter	Unit	Min.	Typ.	Max.
Center Frequency	MHz	77.67	77.75	77.83
Insertion Loss	dB	-	22.13	-
1dB Bandwidth	MHz	2.20	2.28	-
3dB Bandwidth	MHz	-	2.49	-
40dB Bandwidth	MHz	-	3.32	3.45
Passband Ripple	dB	-	0.35	1.00
Group Delay Variation	nsec	-	100	200
Absolute Delay	usec	-	3.08	-
Ultimate Attenuation	dB	50	53	-
Substrate Material	-	Quartz		
Temperature Coefficient	ppm/°C	-0.03		

### Package Dimension



### Matching Configuration



L1=82nH, L2=82nH, L3=220nH C1=56pF  
 Source / Load Impedance = 50Ω  
 Ambient Temperature = 25°C

Rev.1 081008

