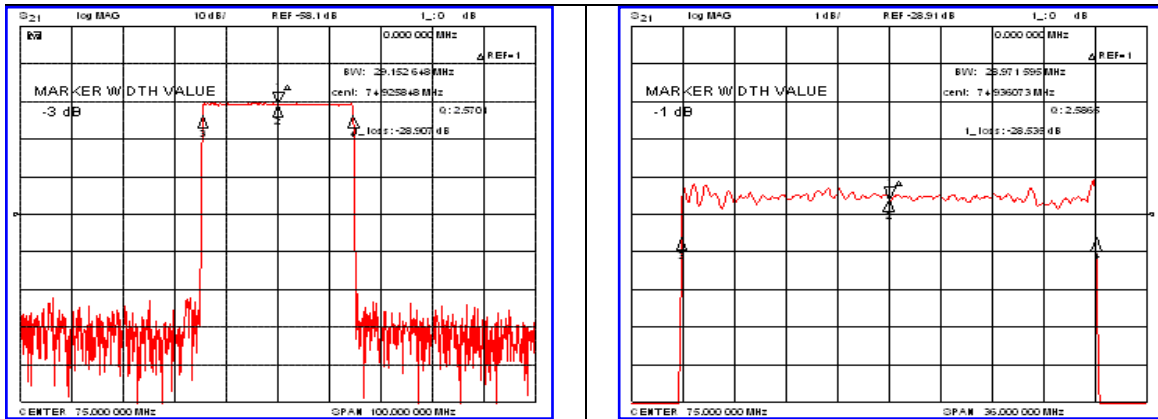


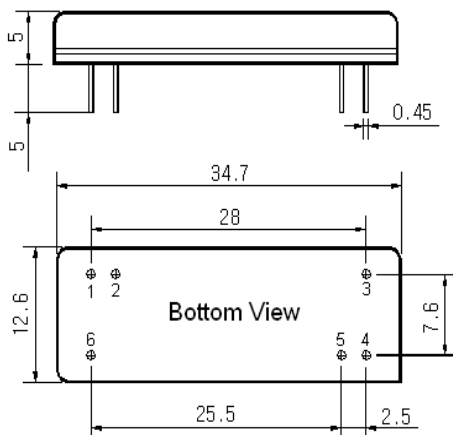
Typical Performance



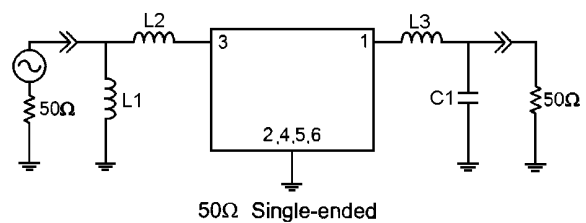
Specification

Parameter	Unit	Min.	Typ.	Max.
Center Frequency	MHz	-	75.00	-
Insertion Loss	dB	-	28.90	30.50
1dB Bandwidth	MHz	28.90	28.97	-
3dB Bandwidth	MHz	-	29.15	-
40dB Bandwidth	MHz	-	29.98	-
50dB Bandwidth	MHz	-	30.09	30.20
Passband Ripple	dB	-	0.76	1.00
Group Delay Variation	nsec	-	30	50
Absolute Delay	usec	-	3.00	-
Ultimate Attenuation	dB	-	50	-
Substrate Material	-	128-LiNbO ₃		
Temperature Coefficient	ppm/°C	-72		

Package Dimension



Matching Configuration



L1=470nH, L2=68nH, L3=150nH, C1=10pF
 Source / Load Impedance = 50Ω
 Ambient Temperature = 25°C

Rev.0 080925

