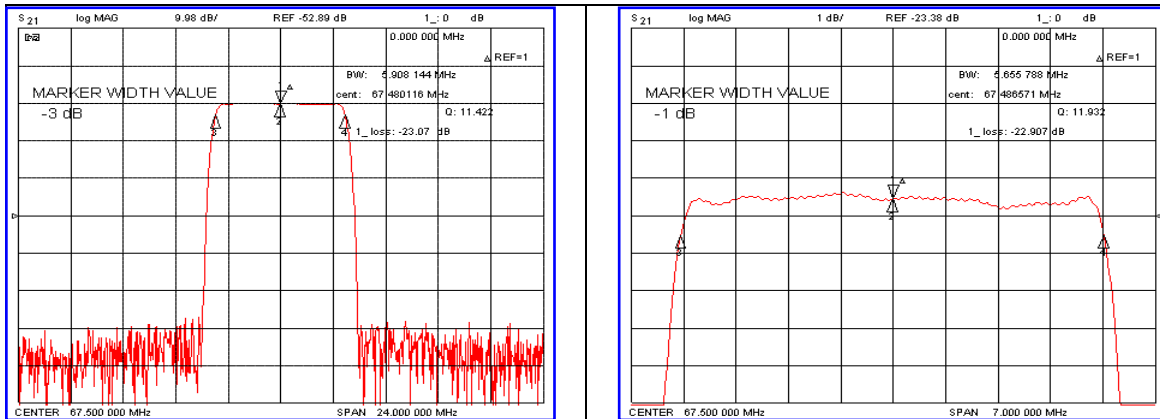


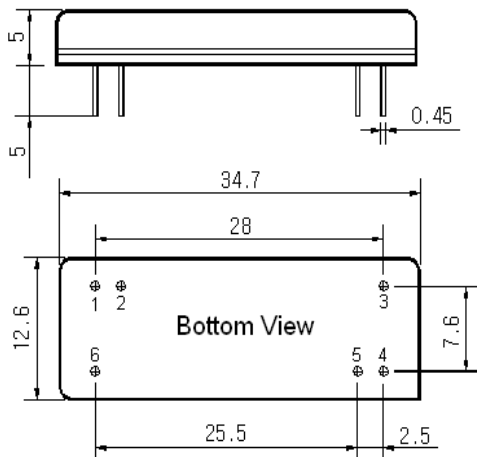
### Typical Performance



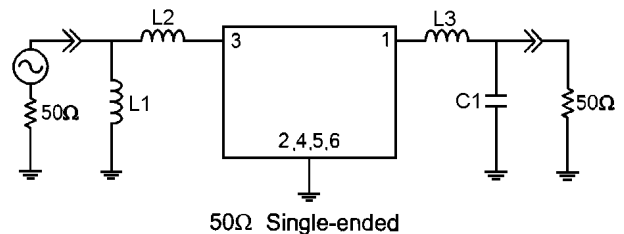
### Specification

Parameter	Unit	Min.	Typ.	Max.
Center Frequency	MHz	67.42	67.50	67.58
Insertion Loss	dB	-	23.20	25.00
1dB Bandwidth	MHz	5.50	5.65	-
3dB Bandwidth	MHz	-	5.90	-
40dB Bandwidth	MHz	-	6.91	7.00
Passband Ripple( $F_c \pm 2.5\text{MHz}$ )	dB	-	0.50	1.00
Group Delay Variation( $F_c \pm 2.5\text{MHz}$ )	nsec	-	50	100
Absolute Delay	usec	-	4.44	-
Ultimate Attenuation	dB	50	55	-
Substrate Material	-	112-LiTaO <sub>3</sub>		
Temperature Coefficient	ppm/°C	-20		

### Package Dimension



### Matching Configuration



L1=120nH, L2=47nH, L3=180nH, C1=75pF  
 Source / Load Impedance = 50Ω  
 Ambient Temperature = 25°C

Rev.0 081202

