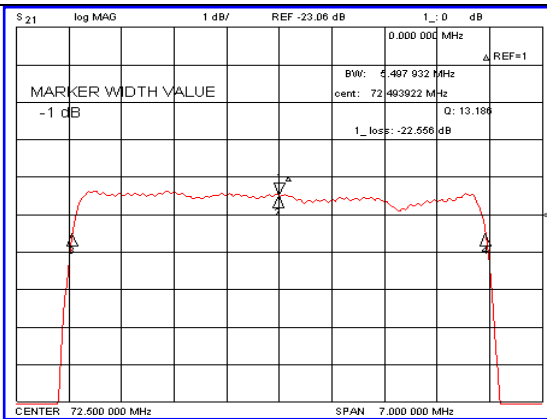
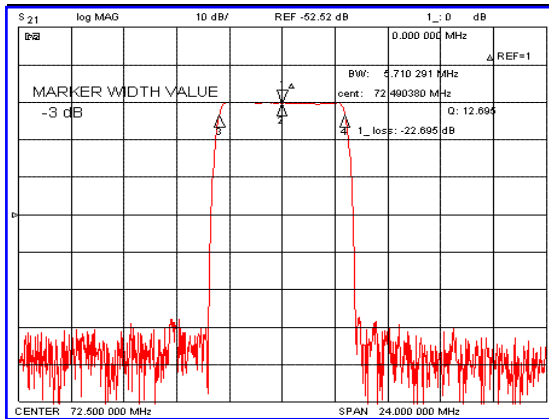


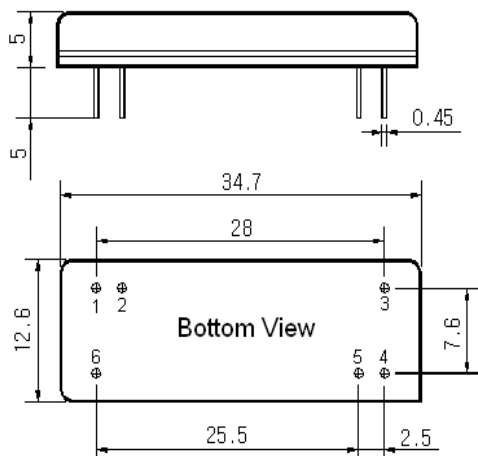
Typical Performance



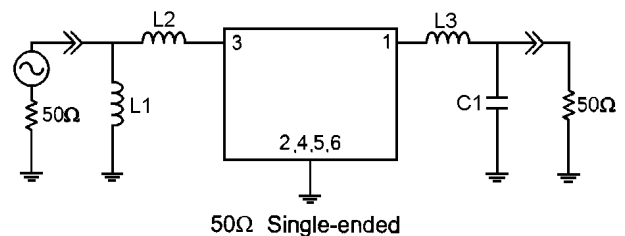
Specification

Parameter	Unit	Min.	Typ.	Max.
Center Frequency	MHz	72.42	72.50	72.58
Insertion Loss	dB	-	22.80	25.00
1dB Bandwidth	MHz	5.30	5.49	-
3dB Bandwidth	MHz	-	5.71	-
40dB Bandwidth	MHz	-	6.56	6.70
Passband Ripple(Fc±2.5MHz)	dB	-	0.55	1.00
Group Delay Variation(Fc±2.5MHz)	nsec	-	60	120
Absolute Delay	usec	-	4.80	-
Ultimate Attenuation	dB	50	55	-
Substrate Material	-	112-LiTaO ₃		
Temperature Coefficient	ppm/°C	-20		

Package Dimension



Matching Configuration



L1=68nH, L2=18nH, L3=150nH, C1=56pF
 Source / Load Impedance = 50Ω
 Ambient Temperature = 25°C

Rev.0 081202

