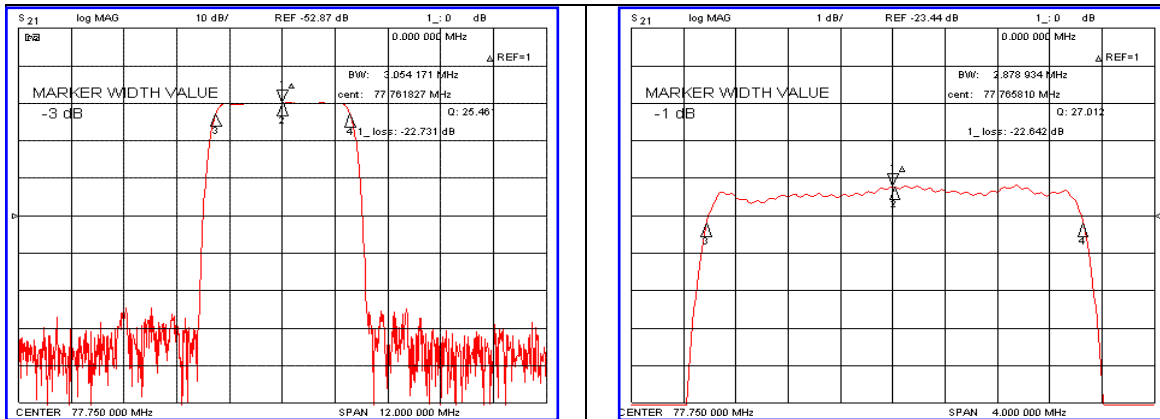


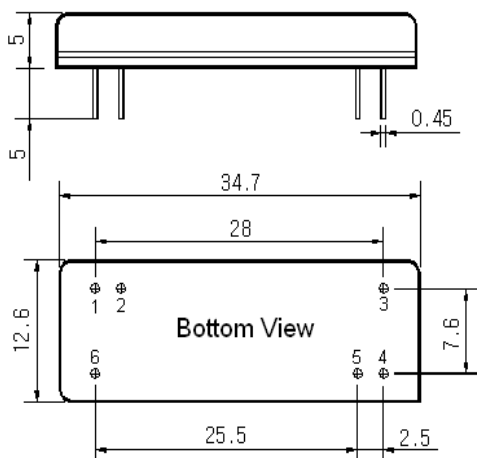
### Typical Performance



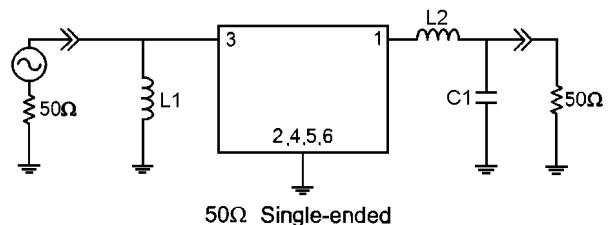
### Specification

Parameter	Unit	Min.	Typ.	Max.
Center Frequency	MHz	77.67	77.75	77.83
Insertion Loss	dB	-	22.80	25.00
1dB Bandwidth	MHz	2.70	2.87	-
3dB Bandwidth	MHz	-	3.05	-
40dB Bandwidth	MHz	-	3.70	3.80
Passband Ripple(Fc±1.25MHz)	dB	-	0.55	1.00
Group Delay Variation	nsec	-	120	200
Absolute Delay	usec	-	5.33	-
Ultimate Attenuation	dB	50	55	-
Substrate Material	-	112-LiTaO <sub>3</sub>		
Temperature Coefficient	ppm/°C	-20		

### Package Dimension



### Matching Configuration



L1=120nH, L2=56nH, C1=91pF  
 Source / Load Impedance = 50Ω  
 Ambient Temperature = 25°C

Rev.0 081202

