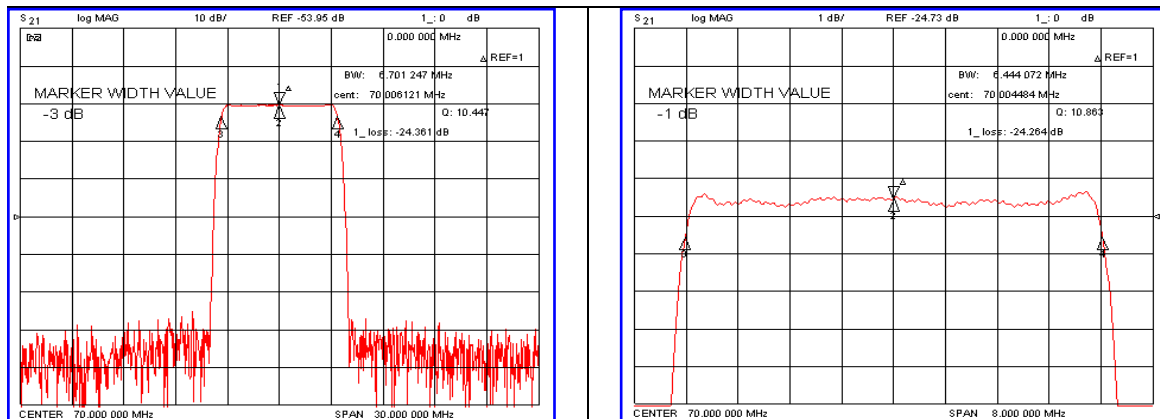


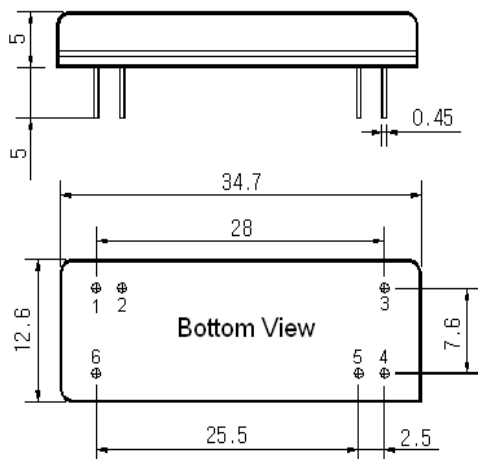
Typical Performance



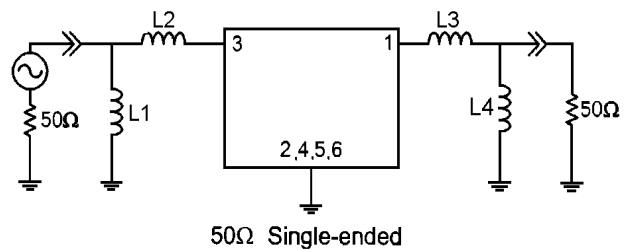
Specification

| Parameter | Unit | Min. | Typ. | Max. |
|----------------------------------|--------|------------------------|-------|-------|
| Center Frequency | MHz | - | 70.00 | - |
| Insertion Loss | dB | - | 24.50 | 26.00 |
| 1dB Bandwidth | MHz | - | 6.44 | - |
| 3dB Bandwidth | MHz | 6.60 | 6.70 | - |
| 40dB Bandwidth | MHz | - | 7.78 | 8.00 |
| Passband Ripple(Fc±2.8MHz) | dB | - | 0.40 | 1.00 |
| Group Delay Variation(Fc±2.8MHz) | nsec | - | 60 | 100 |
| Absolute Delay | usec | - | 4.25 | - |
| Ultimate Attenuation | dB | 50 | 55 | - |
| Substrate Material | - | 112-LiTaO ₃ | | |
| Temperature Coefficient | ppm/°C | -20 | | |

Package Dimension



Matching Configuration



L1=56nH, L2=68nH, L3=56nH, L4=68nH
 Source / Load Impedance = 50Ω
 Ambient Temperature = 25°C

Rev.0 081217

