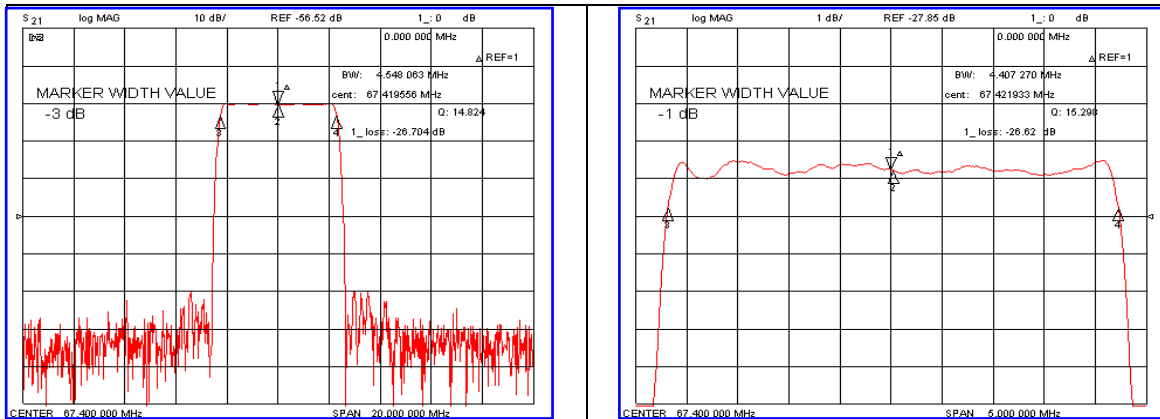


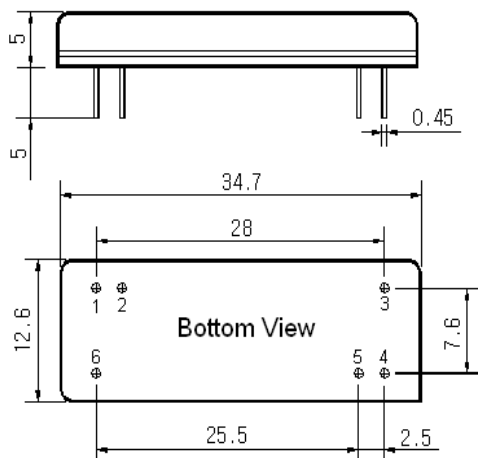
Typical Performance



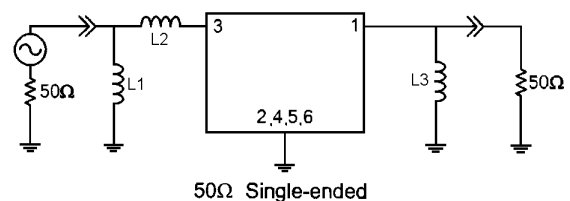
Specification

Parameter	Unit	Min.	Typ.	Max.
Center Frequency	MHz	67.32	67.40	67.48
Insertion Loss	dB	-	26.70	28.50
1dB Bandwidth	MHz	-	4.40	-
3dB Bandwidth	MHz	4.50	4.54	-
40dB Bandwidth	MHz	-	5.14	5.25
Passband Ripple	dB	-	0.48	1.00
Group Delay Variation	nsec	-	80	150
Absolute Delay	usec	-	5.22	-
Ultimate Attenuation	dB	48	50	-
Substrate Material	-	112-LiTaO ₃		
Temperature Coefficient	ppm/°C	-20		

Package Dimension



Matching Configuration



L1=120nH, L2=15nH, L3=150nH
 Source / Load Impedance = 50Ω
 Ambient Temperature = 25°C

Rev.1 090217

