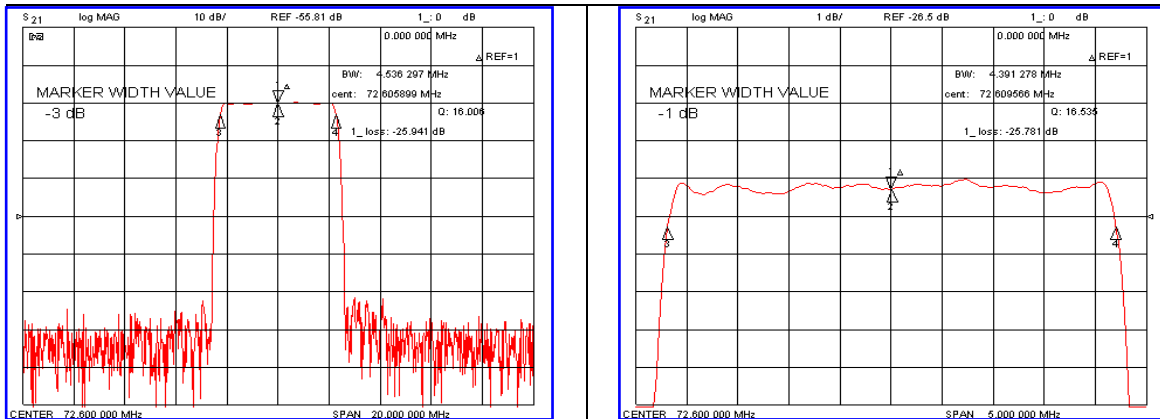


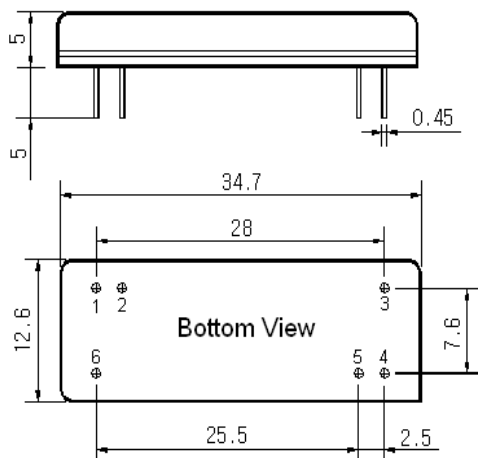
Typical Performance



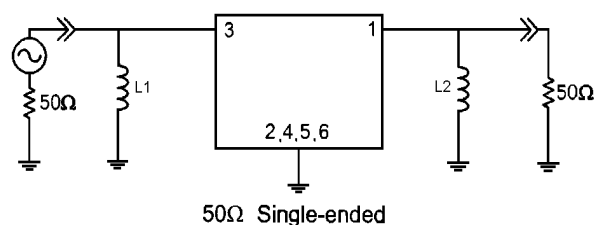
Specification

Parameter	Unit	Min.	Typ.	Max.
Center Frequency	MHz	72.52	72.60	72.68
Insertion Loss	dB	-	26.00	28.00
1dB Bandwidth	MHz	-	4.39	-
3dB Bandwidth	MHz	4.50	4.53	-
40dB Bandwidth	MHz	-	5.13	5.25
Passband Ripple	dB	-	0.42	1.00
Group Delay Variation	nsec	-	80	150
Absolute Delay	usec	-	5.17	-
Ultimate Attenuation	dB	48	52	-
Substrate Material	-	112-LiTaO ₃		
Temperature Coefficient	ppm/°C	-20		

Package Dimension



Matching Configuration



L1=100nH, L2=100nH
 Source / Load Impedance = 50Ω
 Ambient Temperature = 25°C

Rev.1 0900217

