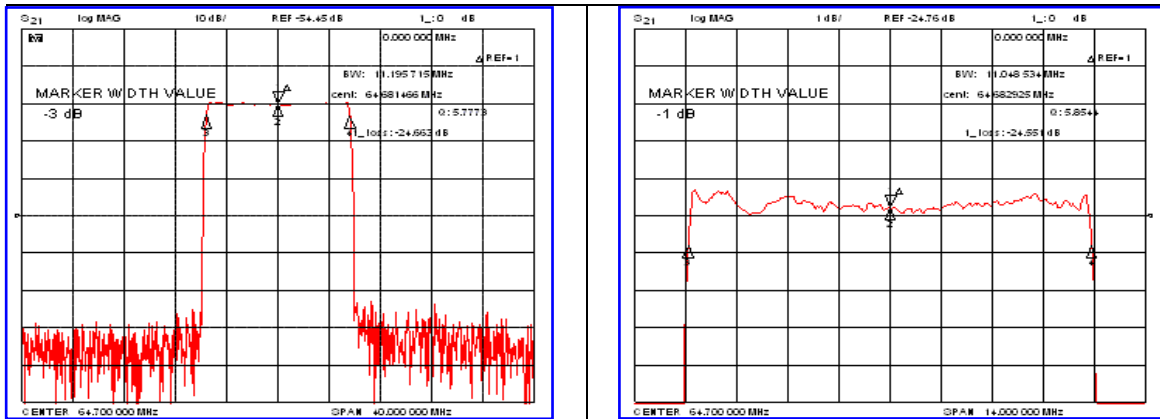


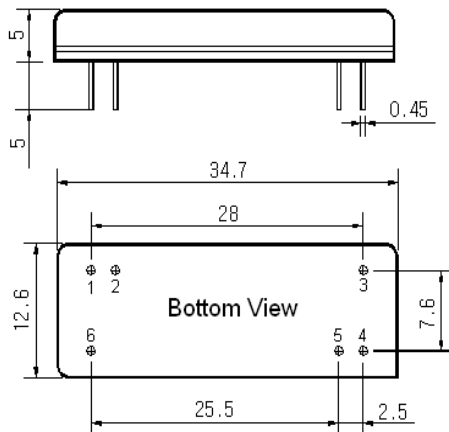
Typical Performance



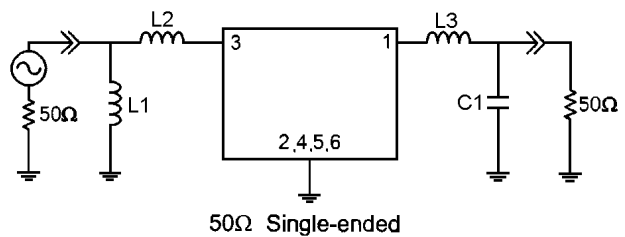
Specification

Parameter	Unit	Min.	Typ.	Max.
Center Frequency	MHz	64.62	64.70	64.78
Insertion Loss	dB	-	24.66	26.00
1dB Bandwidth	MHz	-	11.04	-
3dB Bandwidth	MHz	11.10	11.19	-
20dB Bandwidth	MHz	-	11.64	11.70
40dB Bandwidth	MHz	-	11.84	-
Passband Ripple	dB	-	0.65	1.00
Group Delay Variation	nsec	-	100	200
Absolute Delay	usec	-	4.07	-
Ultimate Attenuation	dB	50	52	-
Substrate Material	-	128-LiNbO ₃		
Temperature Coefficient	ppm/°C	-72		

Package Dimension



Matching Configuration



L1=220nH, L2=33nH, L3=47nH C1=30pF
 Source / Load Impedance = 50Ω
 Ambient Temperature = 25°C

Rev.0 080924

