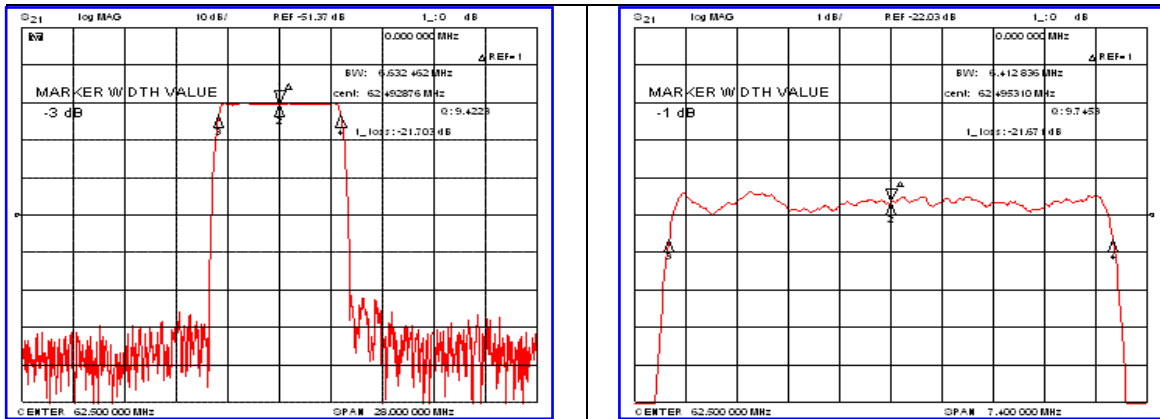


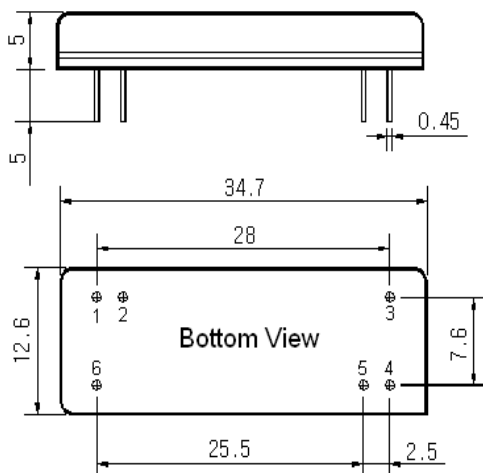
Typical Performance



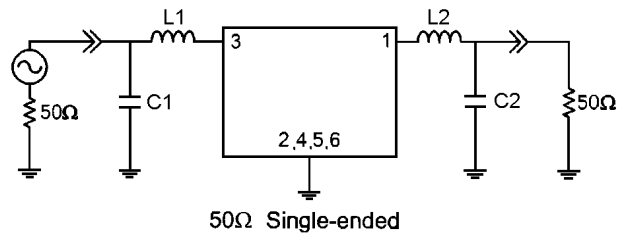
Specification

Parameter	Unit	Min.	Typ.	Max.
Center Frequency	MHz	62.42	62.50	62.58
Insertion Loss	dB	-	21.70	23.50
1dB Bandwidth	MHz	-	6.42	-
3dB Bandwidth	MHz	6.55	6.63	-
45dB Bandwidth	MHz	-	7.57	7.65
Passband Ripple	dB	-	0.65	1.00
Group Delay Variation	nsec	-	120	200
Absolute Delay	µsec	-	3.17	-
Ultimate Attenuation	dB	48	52	-
Substrate Material	-	128-LiNbO ₃		
Temperature Coefficient	ppm/°C	-72		

Package Dimension



Matching Configuration



L1=68nH, L2=68nH, C1=27pF, C2=27pF
 Source / Load Impedance = 50Ω
 Ambient Temperature = 25°C

Rev.0 080725

