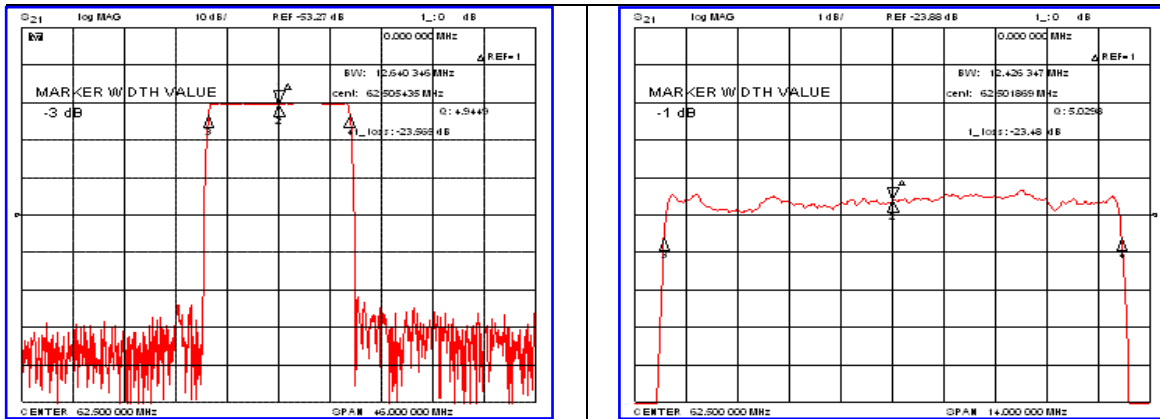


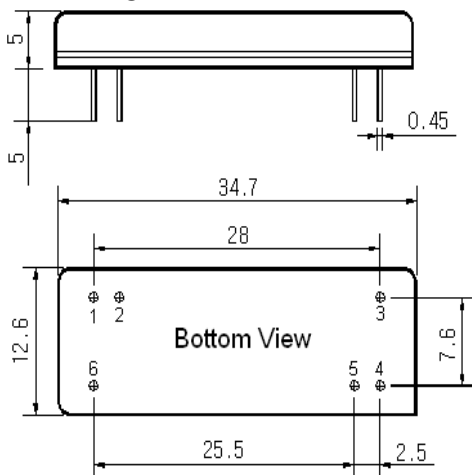
### Typical Performance



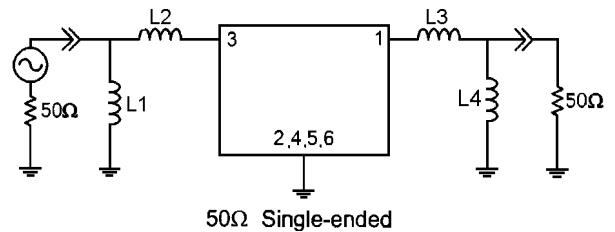
### Specification

Parameter	Unit	Min.	Typ.	Max.
Center Frequency	MHz	62.42	62.50	62.58
Insertion Loss	dB	-	23.56	25.00
1dB Bandwidth	MHz	-	12.42	-
3dB Bandwidth	MHz	12.55	12.64	-
45dB Bandwidth	MHz	-	13.58	12.65
Passband Ripple	dB	-	0.65	1.00
Group Delay Variation	nsec	-	50	100
Absolute Delay	μsec	-	3.18	-
Ultimate Attenuation	dB	48	52	-
Substrate Material	-	128-LiNbO <sub>3</sub>		
Temperature Coefficient	ppm/°C	-72		

### Package Dimension



### Matching Configuration



L1=270nH, L2=22nH, L3=22nH, L4=270nH  
 Source / Load Impedance = 50Ω  
 Ambient Temperature = 25°C

Rev.0 080725

