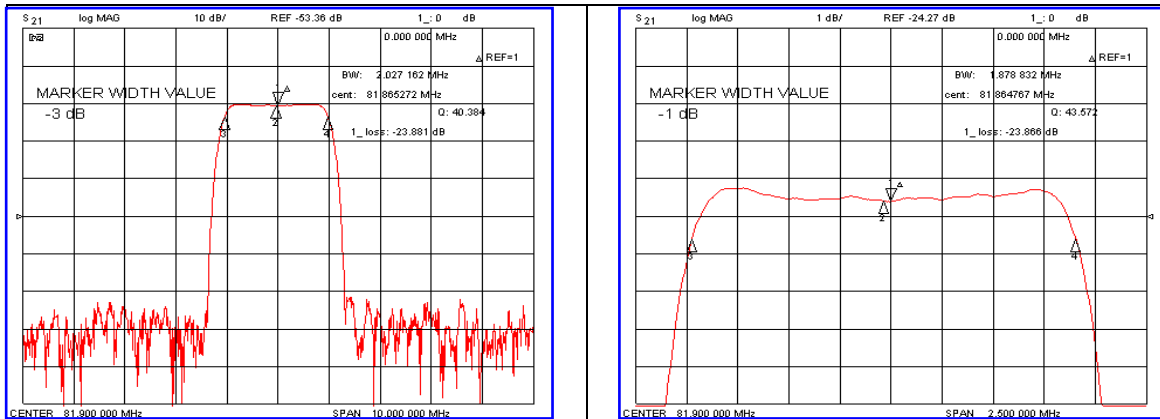


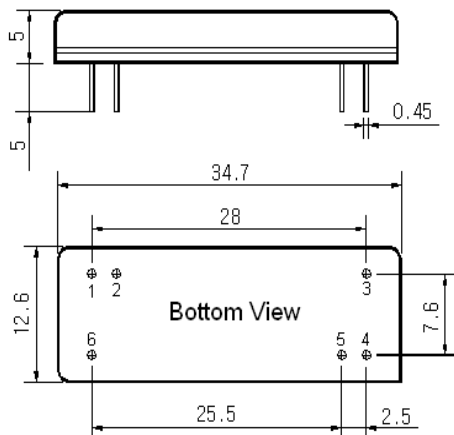
### Typical Performance



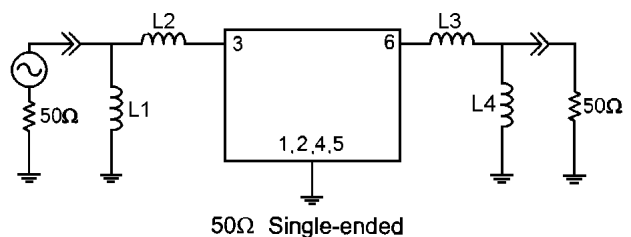
### Specification

Parameter	Unit	Min.	Typ.	Max.
Center Frequency	MHz	-	81.90	-
Insertion Loss	dB	-	24.00	26.00
1dB Bandwidth	MHz	1.80	1.87	-
3dB Bandwidth	MHz	-	2.02	-
40dB Bandwidth	MHz	-	2.62	2.70
50dB Bandwidth	MHz	-	2.66	2.80
Passband Ripple(Fc±0.8MHz)	dB	-	0.45	1.00
Group Delay Variation(Fc±0.8MHz)	nsec	-	100	200
Absolute Delay	usec	-	3.91	-
Ultimate Attenuation	dB	48	52	-
Substrate Material	-	Quartz		
Temperature Coefficient	ppm/°C	-0.03		

### Package Dimension



### Matching Configuration



L1=82nH, L2=82nH, L3=82nH, L4=100nH  
 Source / Load Impedance = 50Ω  
 Ambient Temperature = 25°C

Rev.0 090227

