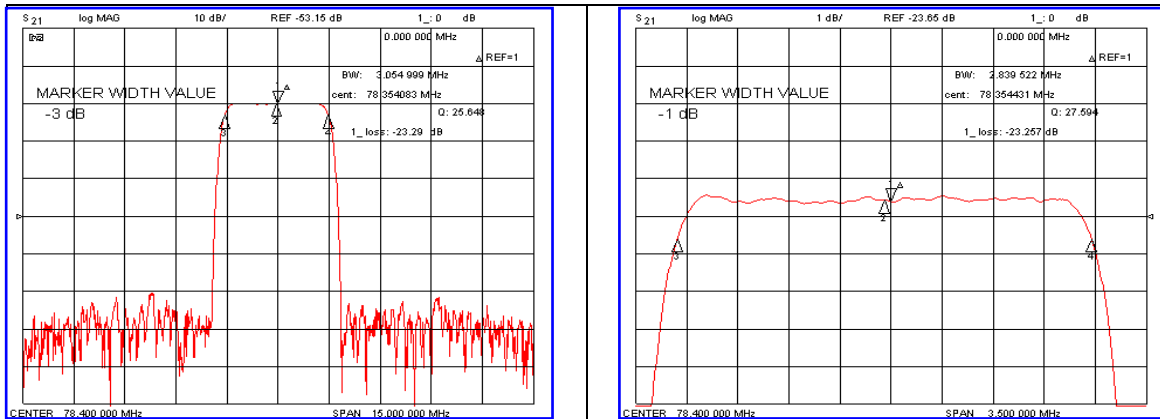


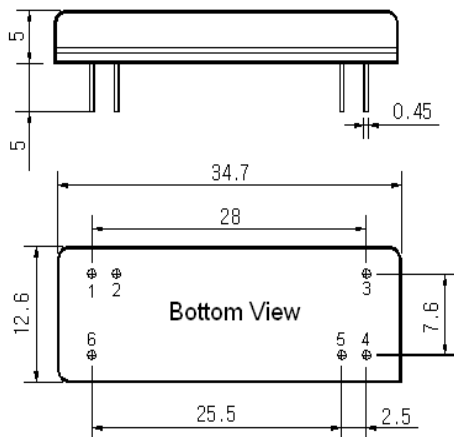
### Typical Performance



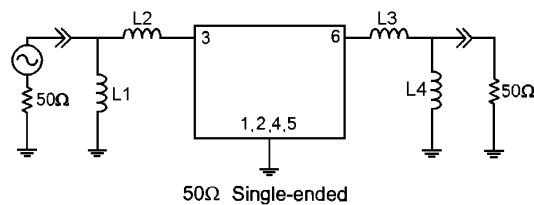
### Specification

Parameter	Unit	Min.	Typ.	Max.
Center Frequency	MHz	-	78.40	-
Insertion Loss	dB	-	23.50	25.00
1dB Bandwidth	MHz	2.80	2.83	-
3dB Bandwidth	MHz	-	3.05	-
40dB Bandwidth	MHz	-	3.70	3.80
50dB Bandwidth	MHz	-	3.76	3.90
Passband Ripple(Fc±1.3MHz)	dB	-	0.55	1.00
Group Delay Variation(Fc±1.3MHz)	nsec	-	100	200
Absolute Delay	usec	-	4.04	-
Ultimate Attenuation	dB	48	52	-
Substrate Material	-	Quartz		
Temperature Coefficient	ppm/°C	-0.03		

### Package Dimension



### Matching Configuration



**L1=56nH, L2=120nH, L3=100nH, L4=47nH**  
 Source / Load Impedance = 50Ω  
 Ambient Temperature = 25°C

Rev.0 090227

