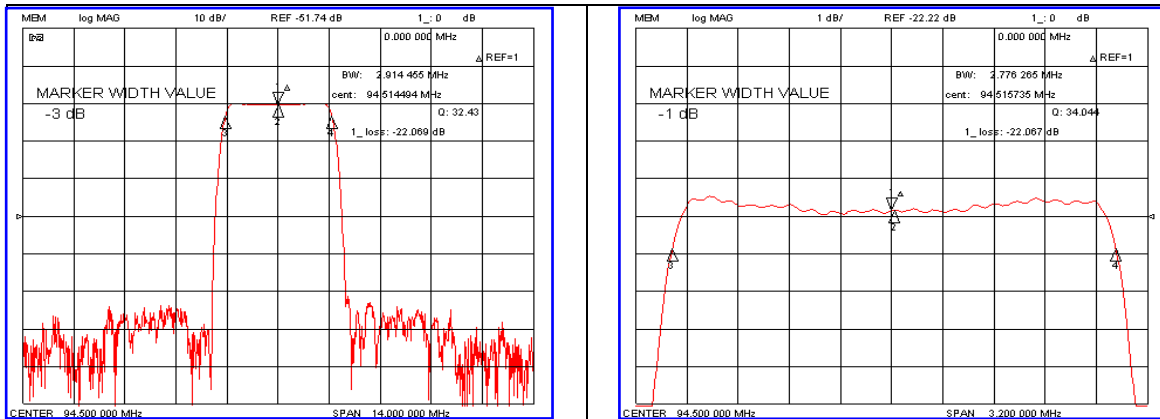


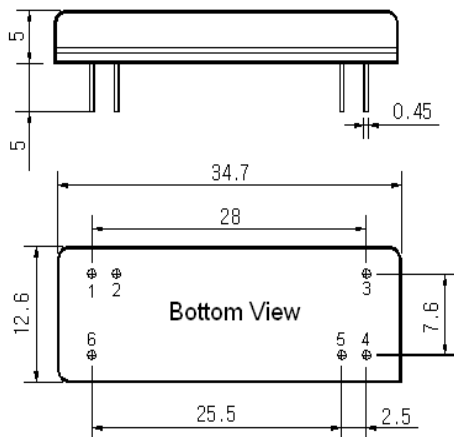
Typical Performance



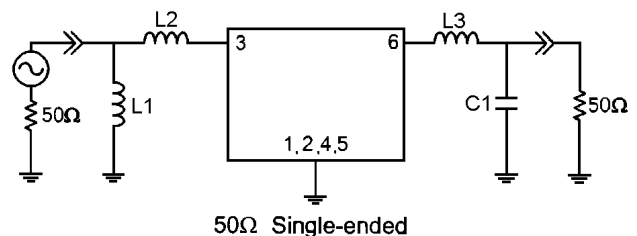
Specification

Parameter	Unit	Min.	Typ.	Max.
Center Frequency	MHz	-	94.50	-
Insertion Loss	dB	-	22.00	25.00
1dB Bandwidth	MHz	2.66	2.77	-
3dB Bandwidth	MHz	-	2.91	-
40dB Bandwidth	MHz	-	3.57	3.65
50dB Bandwidth	MHz	-	3.64	3.80
Passband Ripple(Fc±1.2MHz)	dB	-	0.50	1.00
Group Delay Variation(Fc±1.2MHz)	nsec	-	150	250
Absolute Delay	usec	-	3.96	-
Ultimate Attenuation	dB	48	53	-
Substrate Material	-	Quartz		
Temperature Coefficient	ppm/°C	-0.03		

Package Dimension



Matching Configuration



L1=47nH, L2=68nH, L3=120nH, C1=100pF
 Source / Load Impedance = 50Ω
 Ambient Temperature = 25°C

Rev.0 090227

