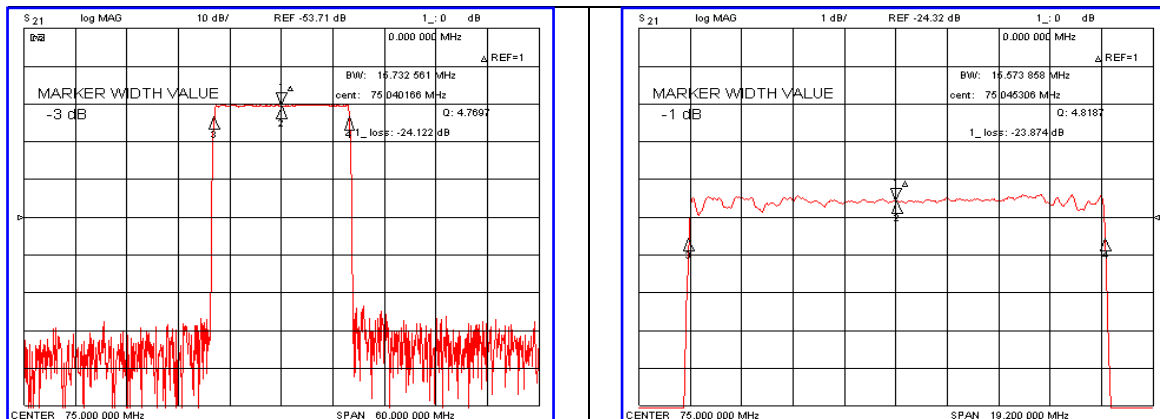


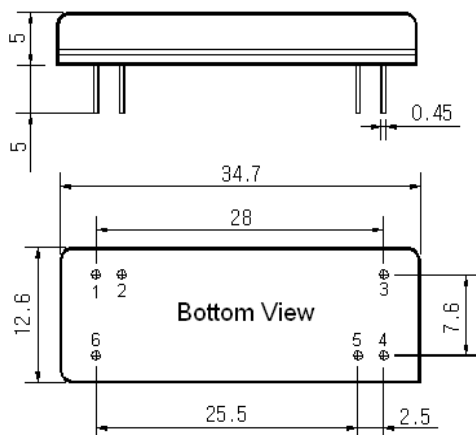
Typical Performance



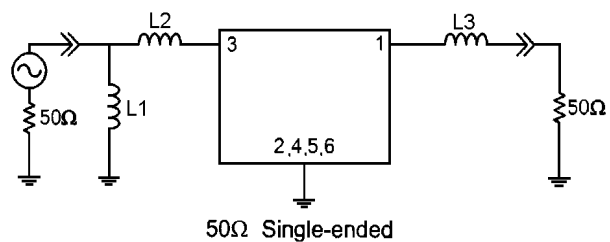
Specification

Parameter	Unit	Min.	Typ.	Max.
Center Frequency	MHz	74.92	75.00	75.08
Insertion Loss	dB	-	24.50	26.00
1dB Bandwidth	MHz	15.50	15.57	-
3dB Bandwidth	MHz	-	15.73	-
40dB Bandwidth	MHz	-	16.45	-
50dB Bandwidth	MHz	-	16.52	16.60
Passband Ripple($F_c \pm 7.47\text{Hz}$)	dB	-	0.54	1.00
Group Delay Variation($F_c \pm 7.47\text{MHz}$)	nsec	-	75	120
Absolute Delay	usec	-	3.82	-
Ultimate Attenuation	dB	50	53	-
Substrate Material	-	128- LiNbO ₃		
Temperature Coefficient	ppm/°C	-72		

Package Dimension



Matching Configuration



L1=100nH, L2=8.2nH, L3=39nH
 Source / Load Impedance = 50Ω
 Ambient Temperature = 25°C

Rev.0 091214

