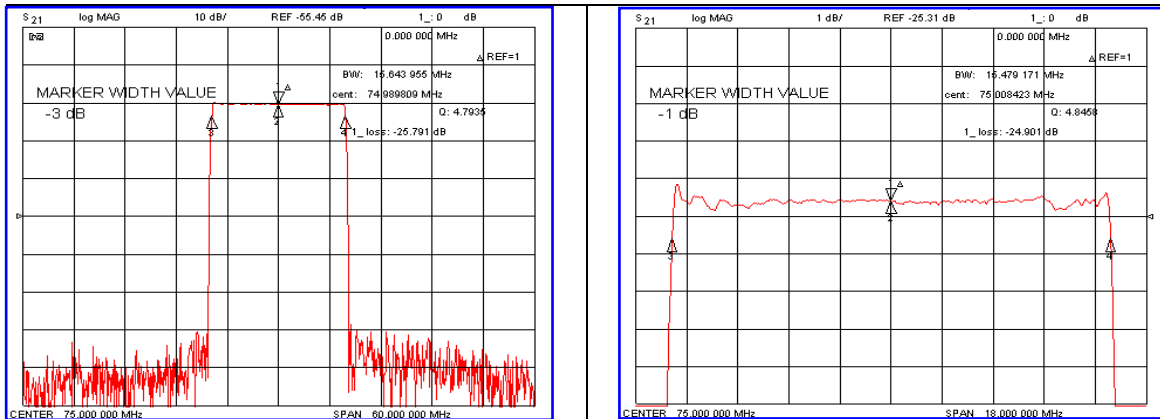


Typical Performance

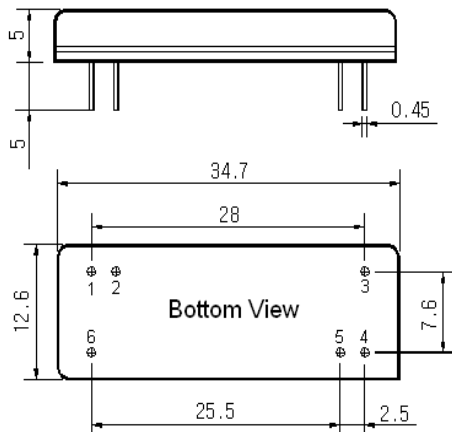


계측기 설정 - Input Power +10dBm, Number of point 801, IF Bandwidth 300Hz

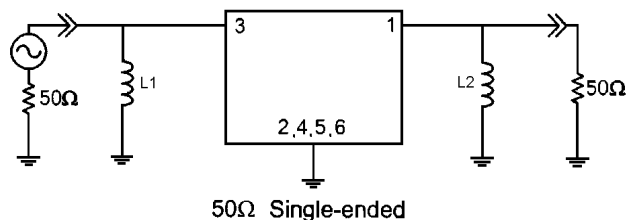
Specification

Parameter	Unit	Min.	Typ.	Max.
Center Frequency	MHz	-	75.00	-
Insertion Loss	dB	-	25.50	27.00
1dB Bandwidth	MHz	15.30	15.47	-
3dB Bandwidth	MHz	-	15.64	-
50dB Bandwidth	MHz	-	16.42	16.53
Passband Ripple(Fc±7.5MHz)	dB	-	0.70	1.00
Absolute Delay	usec	-	3.75	-
Ultimate Attenuation				
1Fa Center - 5.0MHz 내	dB	55	60	-
1Fa Center + 5.0MHz 내	dB	55	58	-
Substrate Material	-	128- LiNbO ₃		
Temperature Coefficient	ppm/°C	-72		

Package Dimension



Matching Configuration



L1=150nH, L2=150nH
Source / Load Impedance = 50Ω
Ambient Temperature = 25°C

Rev.1 090818

