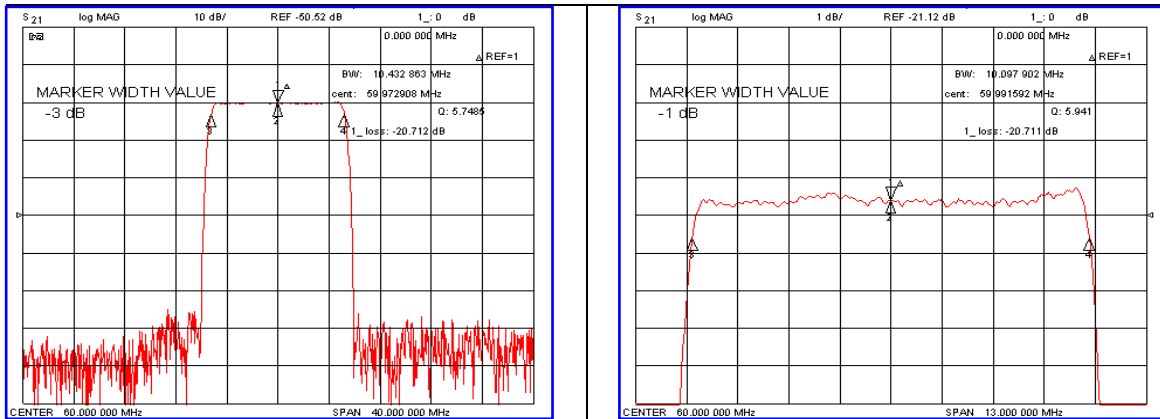


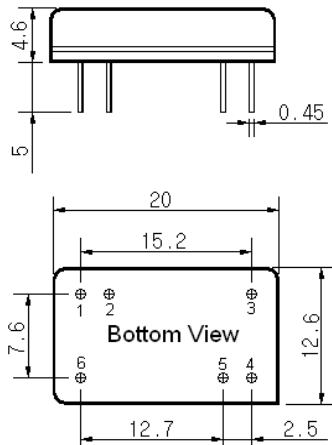
Typical Performance



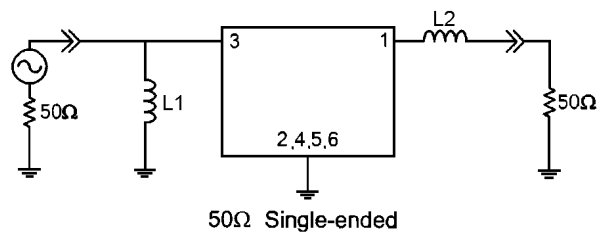
Specification

Parameter	Unit	Min.	Typ.	Max.
Center Frequency	MHz	-	60.00	-
Insertion Loss	dB	-	21.00	23.00
1dB Bandwidth	MHz	10.00	10.09	-
3dB Bandwidth	MHz	-	10.43	-
10dB Bandwidth	MHz	-	10.93	11.05
20dB Bandwidth	MHz	-	11.35	11.45
40dB Bandwidth	MHz	-	11.75	11.88
Passband Ripple($F_c \pm 4.52\text{MHz}$)	dB	-	0.50	0.80
Group Delay Variation($F_c \pm 4.52\text{MHz}$)	nsec	-	55	100
Absolute Delay	µsec	-	2.22	-
Ultimate Attenuation	dB	50	55	-
Substrate Material	-	128- LiNbO ₃		
Temperature Coefficient	ppm/°C	-72		

Package Dimension



Matching Configuration



L1=270nH, L2=220nH
Source / Load Impedance = 50Ω
Ambient Temperature = 25°C

Rev1. 090409

