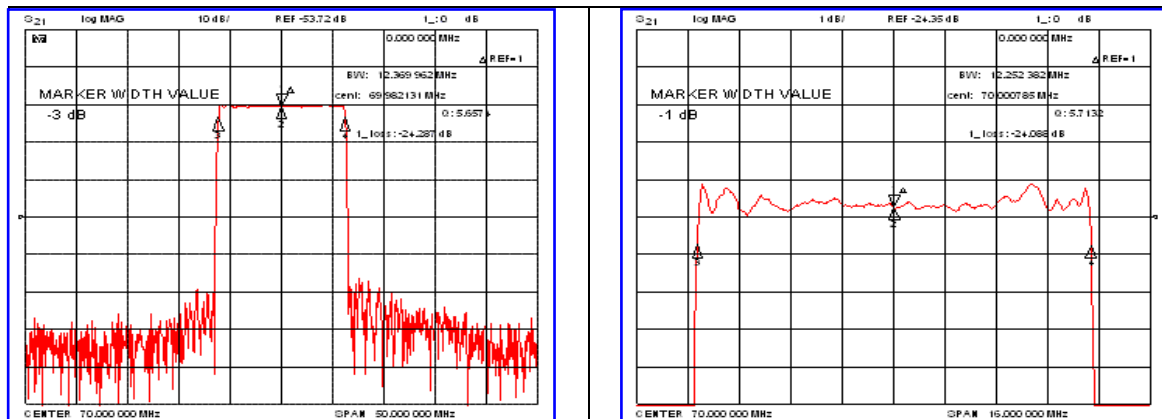


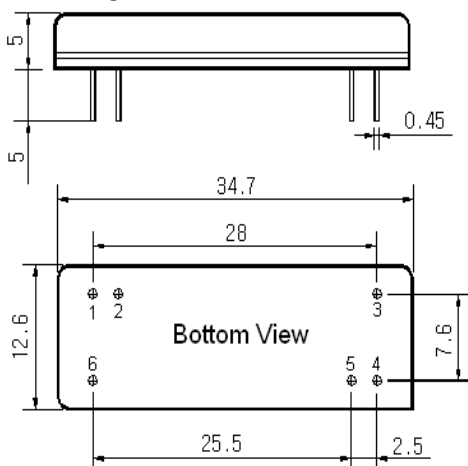
Typical Performance



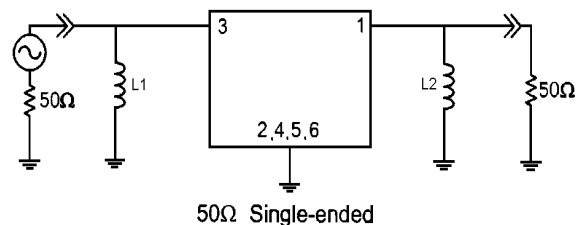
Specification

Parameter	Unit	Min.	Typ.	Max.
Center Frequency	MHz	69.92	70.00	70.08
Insertion Loss	dB	-	24.50	26.00
1dB Bandwidth	MHz	12.15	12.25	-
3dB Bandwidth	MHz	-	12.36	-
40dB Bandwidth	MHz	-	12.95	13.05
Passband Ripple	dB	-	0.86	1.20
Group Delay Variation	nsec	-	100	200
Absolute Delay	μsec	-	4.01	-
Ultimate Attenuation	dB	-	47	-
Substrate Material	-	128- LiNbO ₃		
Temperature Coefficient	ppm/°C	-72		

Package Dimension



Matching Configuration



L1=220nH, L2=270nH
 Source / Load Impedance = 50Ω
 Ambient Temperature = 25°C

Rev0. 080911

