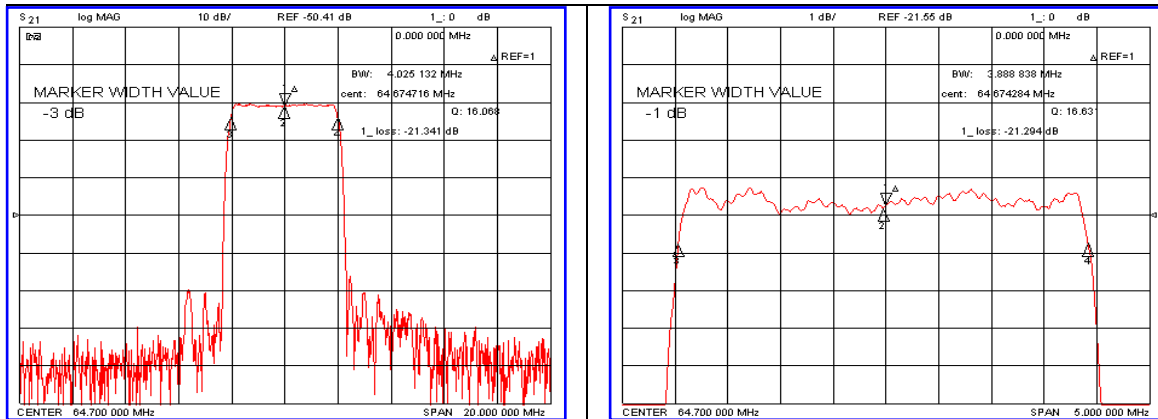


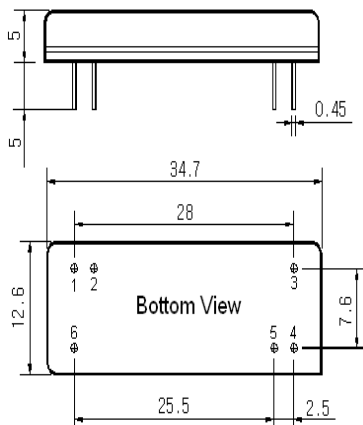
Typical Performance



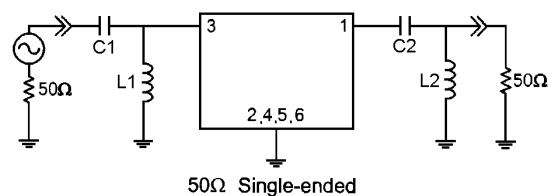
Specification

| Parameter | Unit | Min. | Typ. | Max. |
|-------------------------|--------|-----------------------|-------|-------|
| Center Frequency | MHz | 64.62 | 64.70 | 64.78 |
| Insertion Loss | dB | - | 21.50 | 24.00 |
| 1dB Bandwidth | MHz | 3.70 | 3.88 | - |
| 3dB Bandwidth | MHz | - | 4.02 | - |
| 20dB Bandwidth | MHz | - | 4.46 | 4.55 |
| 40dB Bandwidth | MHz | - | 4.63 | - |
| Passband Ripple | dB | - | 0.68 | 1.00 |
| Group Delay Variation | nsec | - | 200 | 300 |
| Absolute Delay | μsec | - | 4.45 | - |
| Ultimate Attenuation | dB | - | 45 | - |
| Substrate Material | - | YZ-LiNbO ₃ | | |
| Temperature Coefficient | ppm/°C | -94 | | |

Package Dimension



Matching Configuration



L1=L2=390nH, C1=C2=110pF
 Source / Load Impedance = 50Ω
 Ambient Temperature = 25°C

Rev0. 070731

