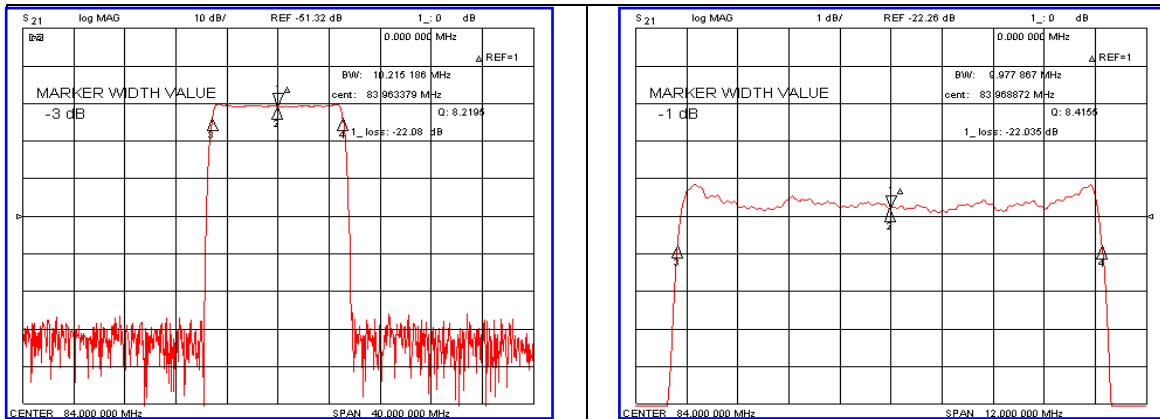


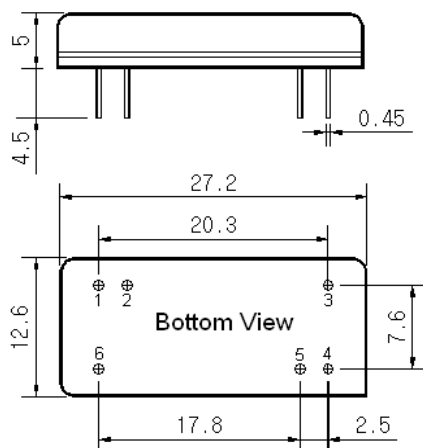
### Typical Performance



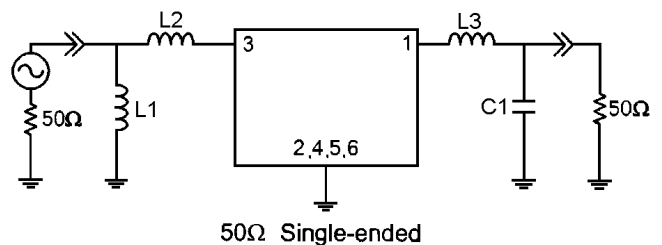
### Specification

Parameter	Unit	Min.	Typ.	Max.
Center Frequency	MHz	-	84.00	-
Insertion Loss	dB	-	22.08	24.00
1dB Bandwidth	MHz	-	9.97	-
3dB Bandwidth	MHz	10.10	10.21	-
40dB Bandwidth	MHz	-	11.32	11.50
Passband Ripple( $F_c \pm 4.8$ MHz)	dB	-	0.77	1.00
Group Delay Variation( $F_c \pm 4.8$ MHz)	nsec	-	60	100
Absolute Delay	$\mu$ sec	-	2.56	-
Ultimate Attenuation	dB	50	55	-
Substrate Material	-	128-LiNbO <sub>3</sub>		
Temperature Coefficient	ppm/ $^{\circ}$ C	-72		

### Package Dimension



### Matching Configuration



L1=390, L2=12nH, L3=12nH, C1=14pF  
 Source / Load Impedance = 50 $\Omega$   
 Ambient Temperature = 25 $^{\circ}$ C

Rev.0 090320

