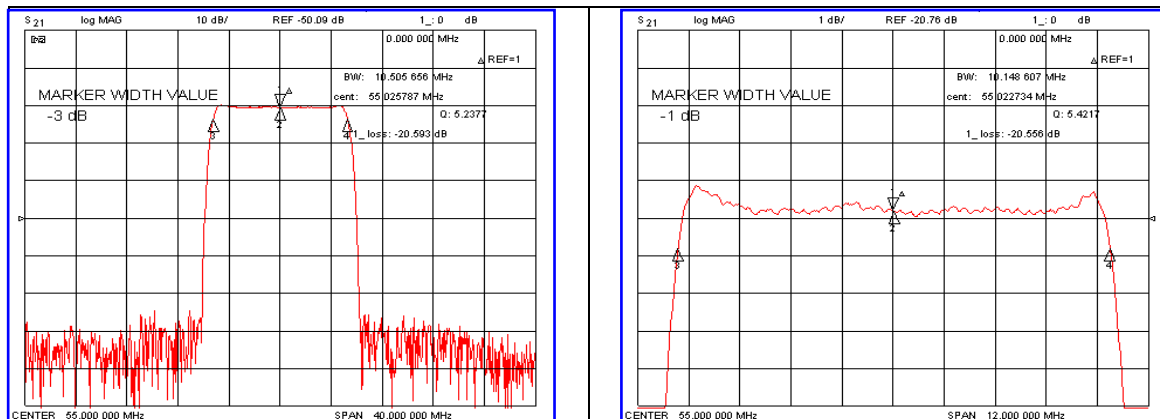


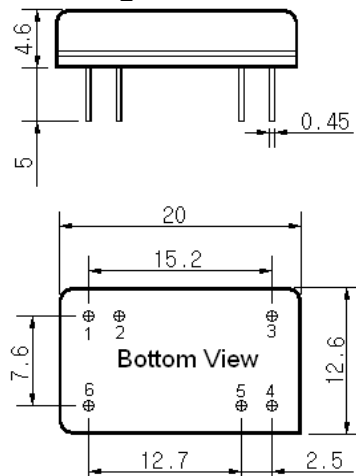
Typical Performance



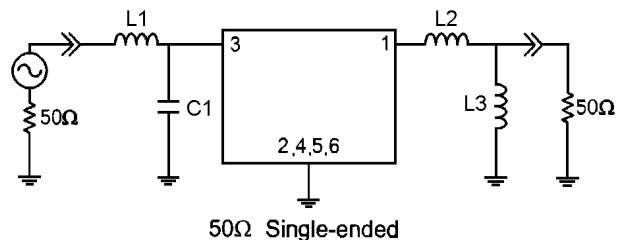
Specification

Parameter	Unit	Min.	Typ.	Max.
Center Frequency	MHz	-	55.00	-
Insertion Loss	dB	-	20.50	23.00
1dB Bandwidth	MHz	10.00	10.15	-
3dB Bandwidth	MHz	-	10.50	-
40dB Bandwidth	MHz	-	12.13	12.30
Passband Ripple($F_c \pm 4.52$ MHz)	dB	-	0.69	1.00
Group Delay Variation($F_c \pm 4.52$ MHz)	nsec	-	51	100
Absolute Delay	μ sec	-	1.99	-
Ultimate Attenuation	dB	50	55	-
Substrate Material	-	128- LiNbO ₃		
Temperature Coefficient	ppm/ $^{\circ}$ C	-72		

Package Dimension



Matching Configuration



L1=220nH, L2=150nH, L3=470nH, C1=16pF
 Source / Load Impedance = 50 Ω
 Ambient Temperature = 25 $^{\circ}$ C

Rev1. 090525

