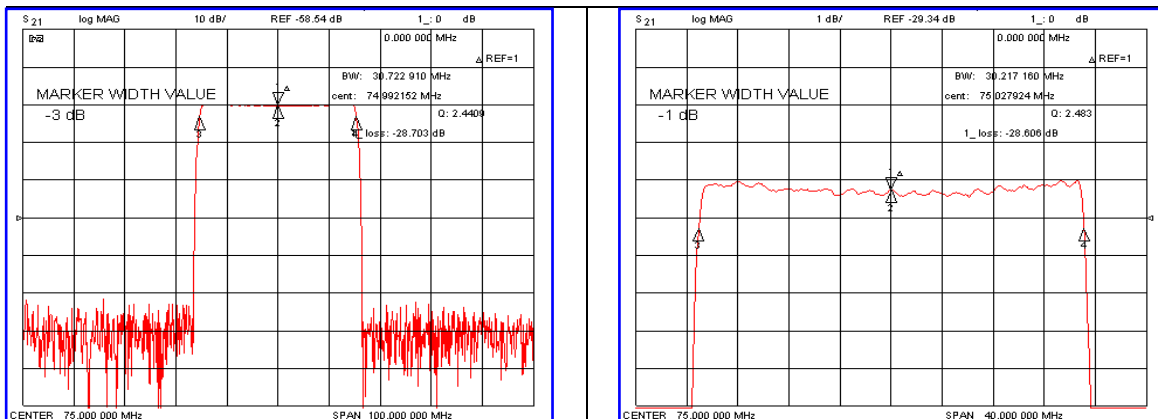


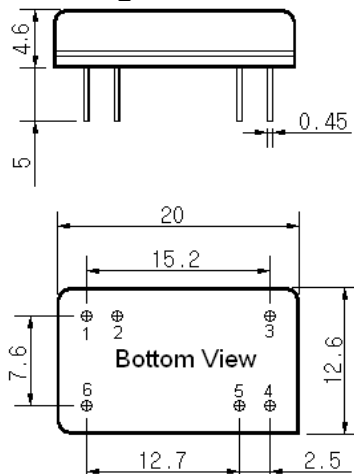
Typical Performance



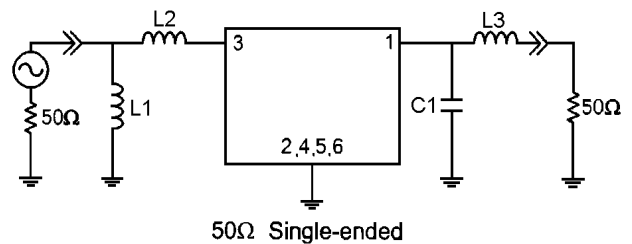
Specification

Parameter	Unit	Min.	Typ.	Max.
Center Frequency	MHz	-	75.00	-
Insertion Loss	dB	-	28.70	30.00
1dB Bandwidth	MHz	30.00	30.21	-
3dB Bandwidth	MHz	-	30.72	-
40dB Bandwidth	MHz	-	32.87	33.10
Passband Ripple($F_c \pm 14.52\text{MHz}$)	dB	-	0.41	1.00
Group Delay Variation($F_c \pm 14.52\text{MHz}$)	nsec	-	30	50
Absolute Delay	μsec	-	1.71	-
Ultimate Attenuation	dB	50	55	-
Substrate Material	-	128- LiNbO ₃		
Temperature Coefficient	ppm/ $^{\circ}\text{C}$	-72		

Package Dimension



Matching Configuration



L1=390nH, L2=100nH, L3=150nH, C1=10pF
 Source / Load Impedance = 50Ω
 Ambient Temperature = 25°C

Rev0. 090525

