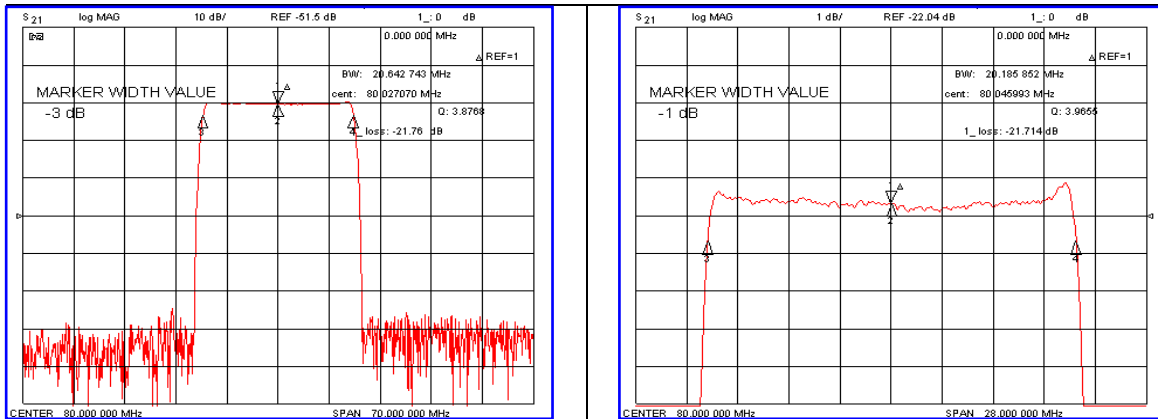


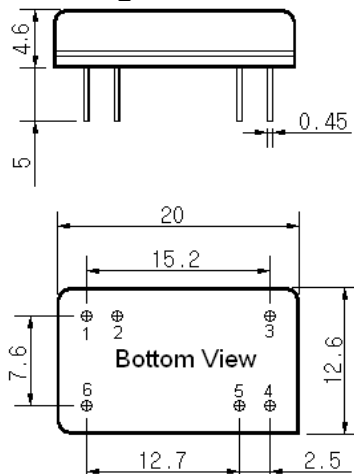
Typical Performance



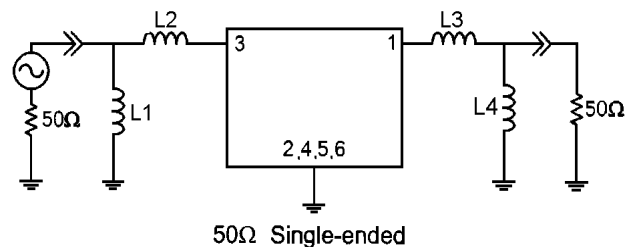
Specification

Parameter	Unit	Min.	Typ.	Max.
Center Frequency	MHz	-	80.00	-
Insertion Loss	dB	-	21.76	24.00
1dB Bandwidth	MHz	20.10	20.18	-
3dB Bandwidth	MHz	-	20.64	-
40dB Bandwidth	MHz	-	22.69	22.80
Passband Ripple($F_c \pm 9.42\text{MHz}$)	dB	-	0.75	1.00
Group Delay Variation($F_c \pm 9.42\text{MHz}$)	nsec	-	25	80
Absolute Delay	μsec	-	1.72	-
Ultimate Attenuation	dB	50	55	-
Substrate Material	-	128- LiNbO ₃		
Temperature Coefficient	ppm/ $^{\circ}\text{C}$	-72		

Package Dimension



Matching Configuration



L1=330nH, L2=120nH, L3=100nH, L4=330nH
 Source / Load Impedance = 50 Ω
 Ambient Temperature = 25 $^{\circ}\text{C}$

Rev0. 090525

