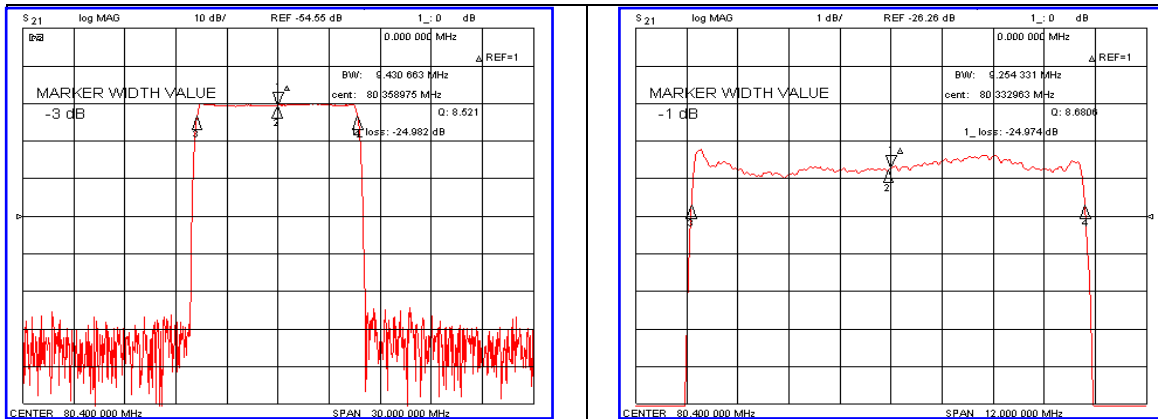


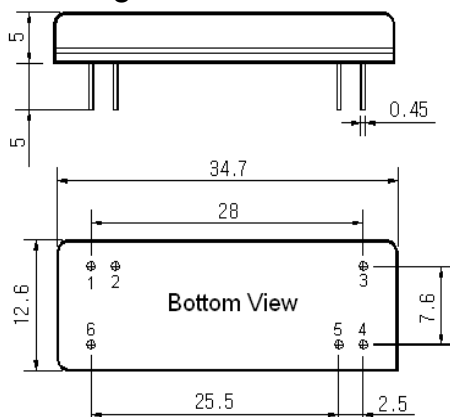
### Typical Performance



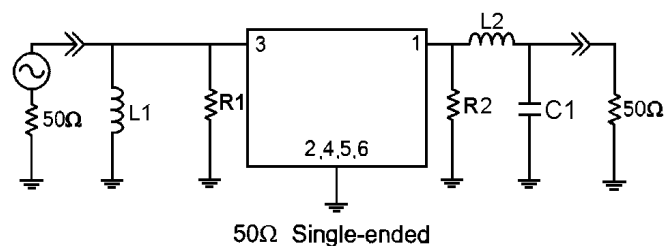
### Specification

Parameter	Unit	Min.	Typ.	Max.
Center Frequency	MHz	80.30	80.40	80.50
Insertion Loss	dB	-	25.00	27.00
1dB Bandwidth	MHz	9.10	9.25	-
3dB Bandwidth	MHz	9.30	9.43	-
40dB Bandwidth	MHz	-	10.18	10.30
Return Loss at 1dB Bandwidth	dB	7	10	-
Passband Ripple	dB	-	0.80	1.00
Group Delay Variation Fc±4.5MHz Peak to Peak	nsec	-	60	120
Absolute Delay	usec	-	3.73	-
Ultimate Attenuation	dB	50	55	-
Substrate Material	-	Yz-LiNbO <sub>3</sub>		
Temperature Coefficient	ppm/°C	-94		

### Package Dimension



### Matching Configuration



L1=120nH, L2=100nH, C1=22pF, R1=150 Ω, R2=150 Ω  
 Source / Load Impedance = 50Ω  
 Ambient Temperature = 25°C

Rev.1 090601

