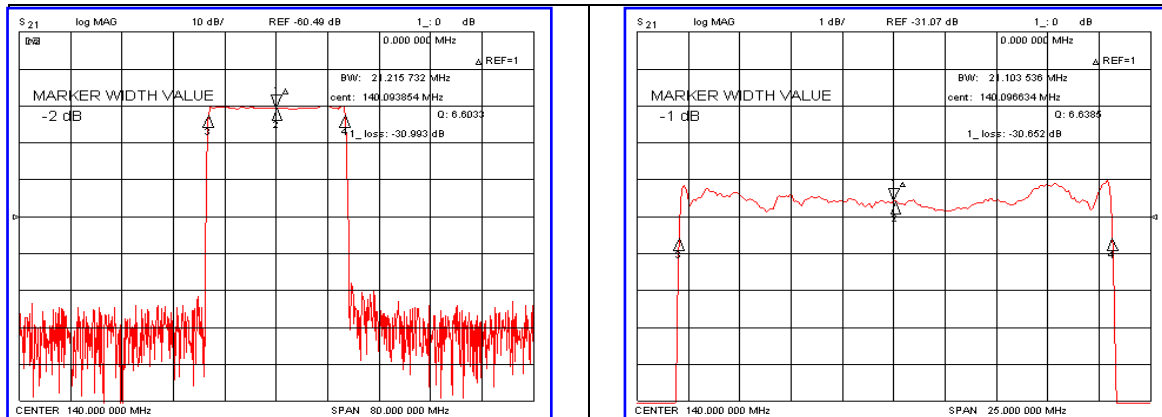


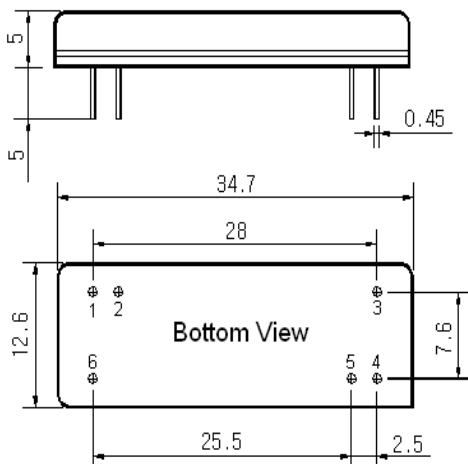
Typical Performance



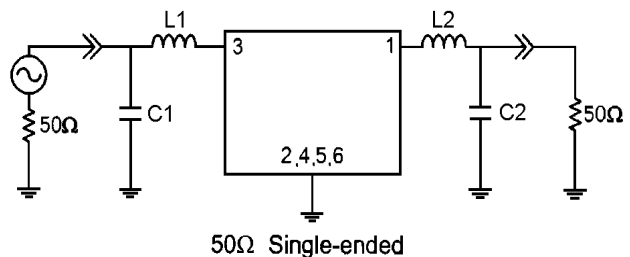
Specification

Parameter	Unit	Min.	Typ.	Max.
Center Frequency	MHz	139.85	140.00	140.15
Insertion Loss	dB	-	31.00	33.00
2dB Bandwidth	MHz	21.10	21.21	-
25dB Bandwidth	MHz	-	22.01	22.10
40dB Bandwidth	MHz	-	22.23	-
Passband Ripple	dB	-	0.85	1.20
Group Delay Variation	nsec	-	70	120
Absolute Delay	μsec	-	3.33	-
Ultimate Attenuation	dB	-	47	-
Substrate Material	-	128- LiNbO ₃		
Temperature Coefficient	ppm/°C	-72		

Package Dimension



Matching Configuration



L1=56nH, L2=10nH, C1=20pF, C2=14pF
 Source / Load Impedance = 50Ω
 Ambient Temperature = 25°C

Rev0. 081231

