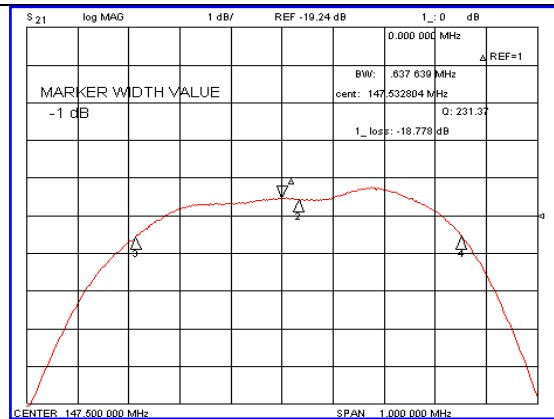
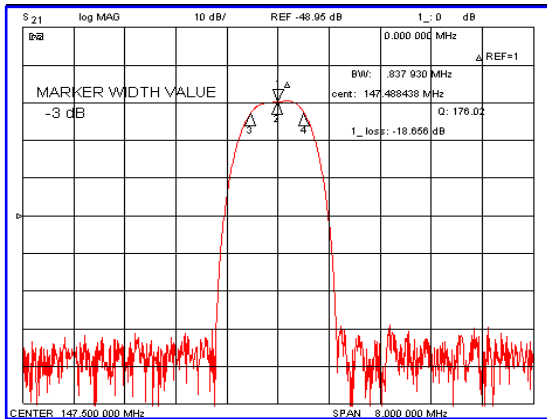


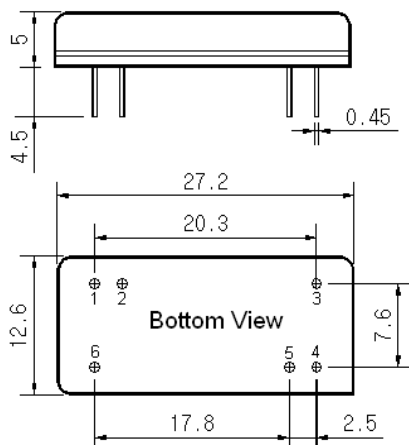
Typical Performance



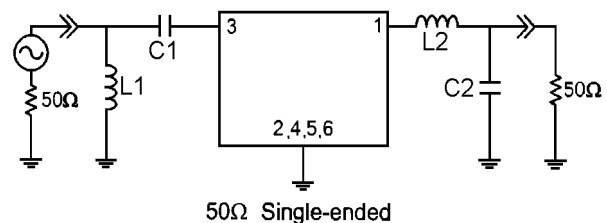
Specification

Parameter	Unit	Min.	Typ.	Max.
Center Frequency	MHz	147.40	147.50	147.60
Insertion Loss	dB	-	18.80	22.00
1dB Bandwidth	MHz	-	0.63	-
3dB Bandwidth	MHz	0.70	0.83	-
50dB Bandwidth	MHz	-	1.82	2.00
Passband Ripple	dB	-	0.60	1.00
Group Delay Variation	nsec	-	250	350
Absolute Delay	µsec	-	2.76	-
Ultimate Attenuation	dB	50	55	-
Substrate Material	-	Quartz		
Temperature Coefficient	ppm/°C	-0.03		

Package Dimension



Matching Configuration



L1=47nH, L2=18nH, C1=62pF, C2=27pF
 Source / Load Impedance = 50Ω
 Ambient Temperature = 25°C

Rev.0 090703

